


Project: the private house in El Palol property: Mas Palol (Can Fages), municipal area: Torroella de Fluvià, county: l'Alt Empordà, Spain	 <p> <i>ak. arch. Oldřich Hozman</i> <i>Na Zájezdu 16, 101 00 Praha 10</i> <i>Czech Republic</i> <i>Czech Chamber of Architects Reg. no.: 01284</i> <i>tel + 420 235 31 16 22</i> <i>fax + 420 235 31 16 22</i> <i>www.arc.cz arc@arc.cz</i> </p>
Investor: Zain Maitreya, s.l., Margenat 23, 08017 Barcelona, Spain	

Architect: ak. arch. Oldřich Hozman	Drawn by: Ing. arch. Jan Soukup Ing. Tomas Stopka	Profession: CONSTRUCTION	Format: A4
Structural engineer: Joan Carles Capilla Ten and Maria Pia Monaco Baques, arquitectes		Checked by: arch. Arturo de la Maza	

Drawing: WINDOWS AND DOORS SCHEDULE	Project stage: EXECUTIVE PROJECT	Drawing number: SCH2
	Scale: 1 : 25	
	Date: 07 / 2011	

The doors will be made as wooden, with mostly one or two wings, with veneer panels or glass, to timber frame with joinery casing.

Balcony doors and all of the windows will be provide with drip ledges for posible connecting of parapets and water protection boards.

hardware material for all elements: brass

finishes of doors and windows:

indoor - one paint of Basic Oil and one pint of Hard Oil Kreidezeit

outdoor - one paint of Basic Oil and one paint of Wood lazure exterior Kreidezeit

All of the doors will be made form massive wood, mostly from pine. For interior doors use standard room lock, to WC and bath rooms with inside ensuring. Cylinder security locks will be instaled to exterior doors in ground floor, also on balcony

ALL DIMENSIONS MUST BE CHECKED OUT ON SITE OF PRIOR. BEFORE STARTING OF MANUFACTURING WILL BE FINAL FORM CONFIRM WITH BOTH INVESTOR AND ARCHITECT.

WINDOWS AND DOORS SCHEDULE

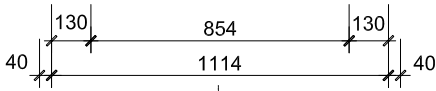
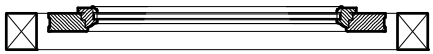
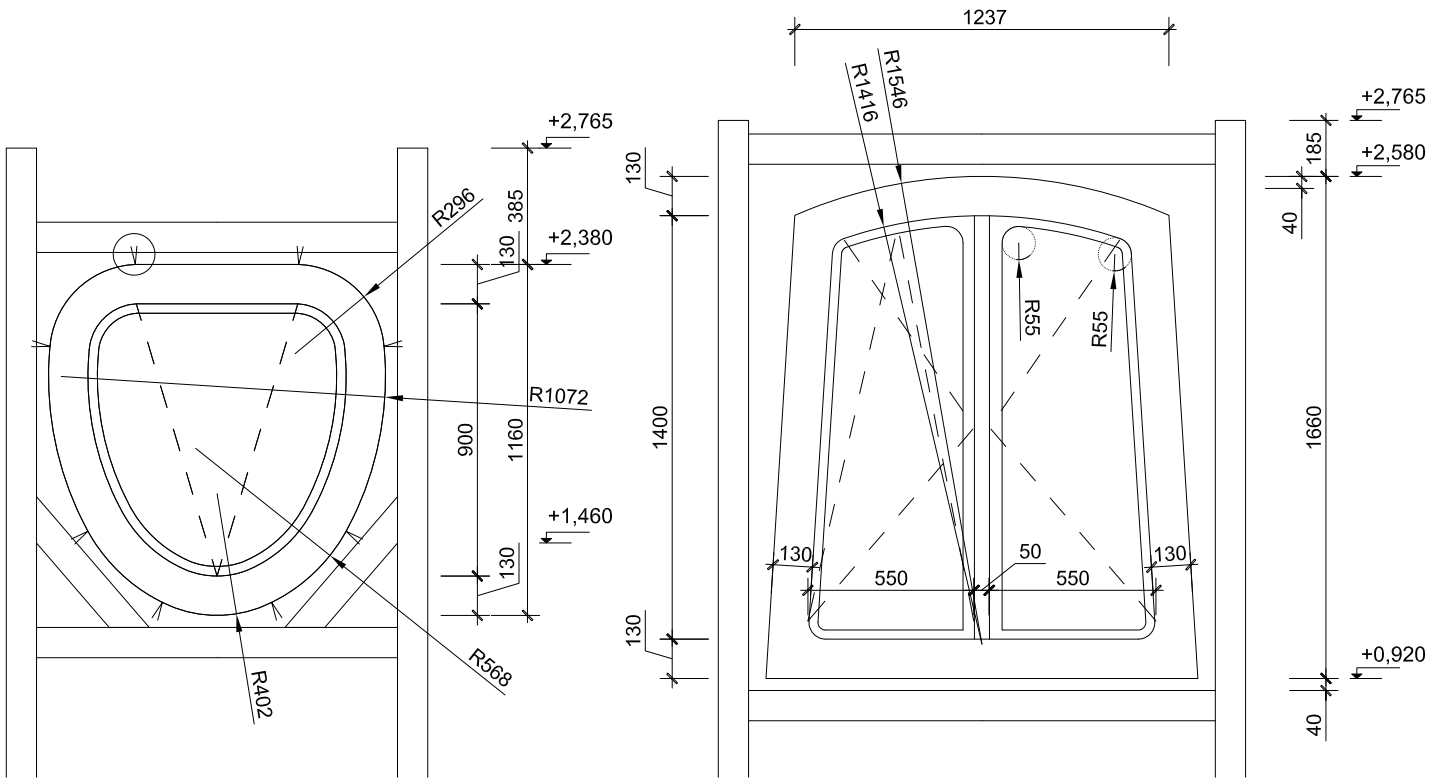
EXECUTIVE PROJECT

Scale: 1 : 25

Date: 05 / 2011

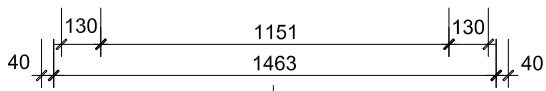
Drawing number:

SCH02



W01

view ▲

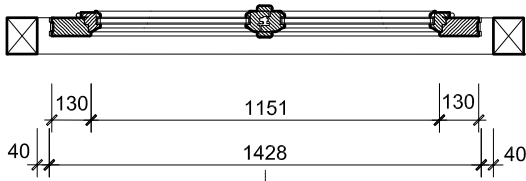
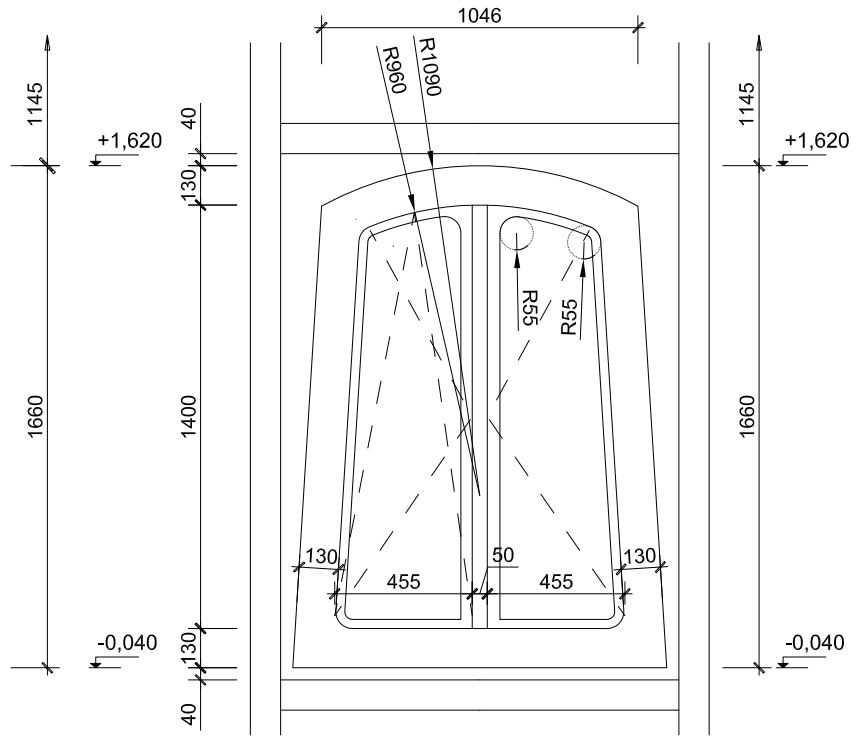
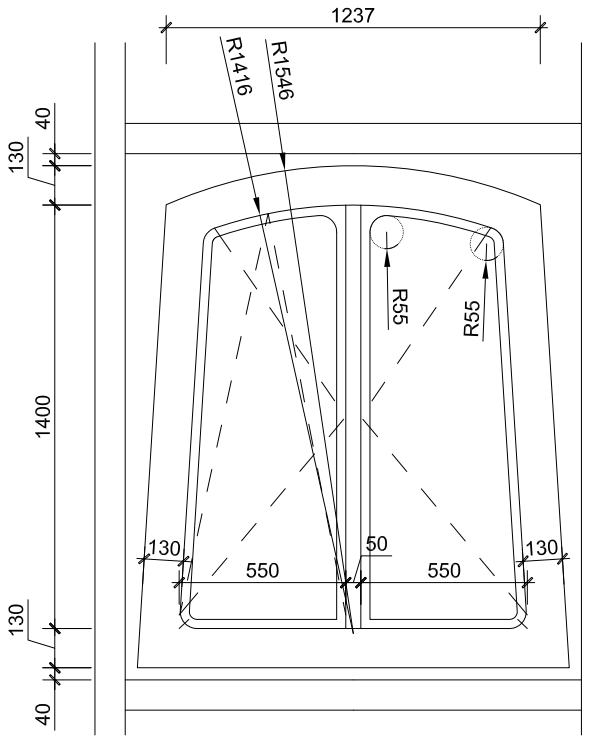


W08

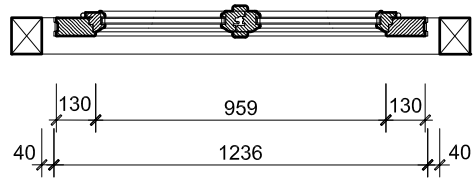
view ▲

EXTERIOR WINDOW		ONE WING	LEFT
specification	type of mechanism:	awning	
	size w/h :	1114 / 1160	
	
	latch :	standard window opening	
		!Actual dimensions of parapets, sheets, window and door openings to be checked on site prior to construction!	
		W01	

EXTERIOR WINDOW		DOUBLE WING	RIGHT
specification	type of mechanism:	hinge&hopper	
	size w/h :	1463 / 1660	
	
	latch :	standard window opening	
		!Actual dimensions of parapets, sheets, window and door openings to be checked on site prior to construction!	
		W08	



W02
view ▲

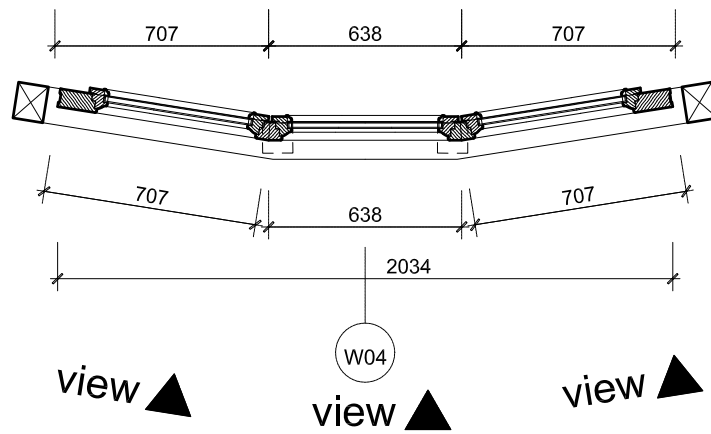
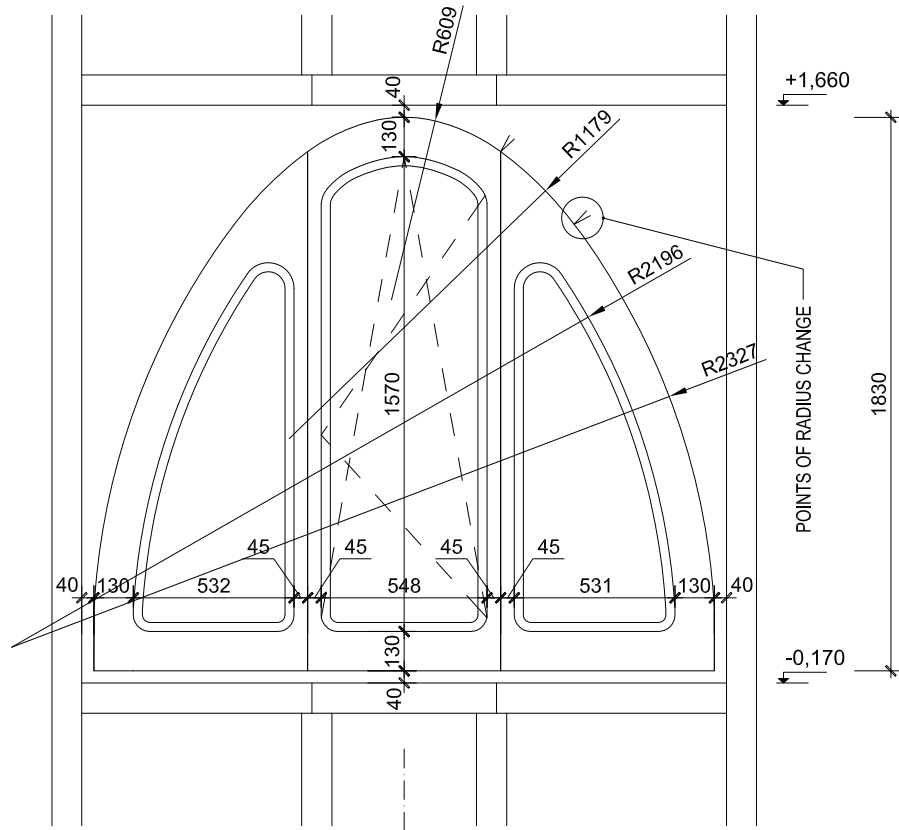


W03
view ▲

EXTERIOR WINDOW		DOUBLE WING	RIGHT
specification	type of mechanism:	hinge&hopper	
	size w/h :	1428 / 1660	
	door sill:	material of the frame : pine wood	
	...	material of the wing : full board : pine wood	
latch :	standard window opening	surface : basic oil and 2 layers of hadr wax oil	
		glass : double clear glass	
		!Actual dimensions of parapets, sheets, window and door openings to be checked on site prior to construction!	
		W02	

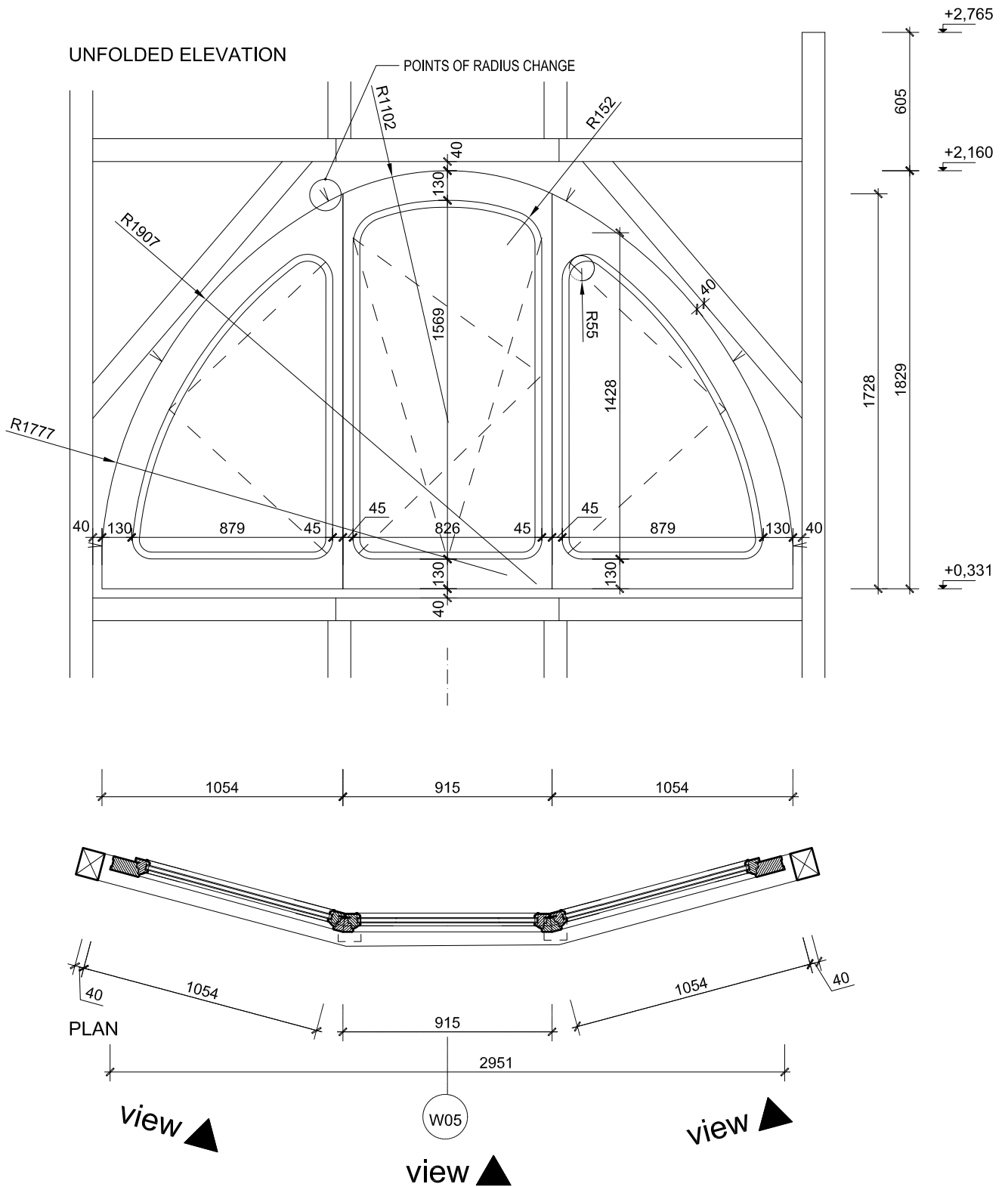
EXTERIOR WINDOW		DOUBLE WING	RIGHT
specification	type of mechanism:	hinge&hopper	
	size w/h :	1236 / 1660	
	door sill:	material of the frame : pine wood	
	...	material of the wing : full board : pine wood	
latch :	standard window opening	surface : basic oil and 2 layers of hadr wax oil	
		glass : double clear glass	
		!Actual dimensions of parapets, sheets, window and door openings to be checked on site prior to construction!	
		W03	

UNFOLDED ELEVATION

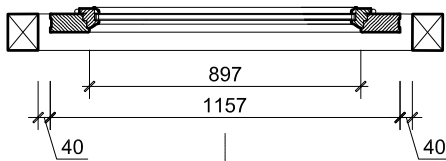
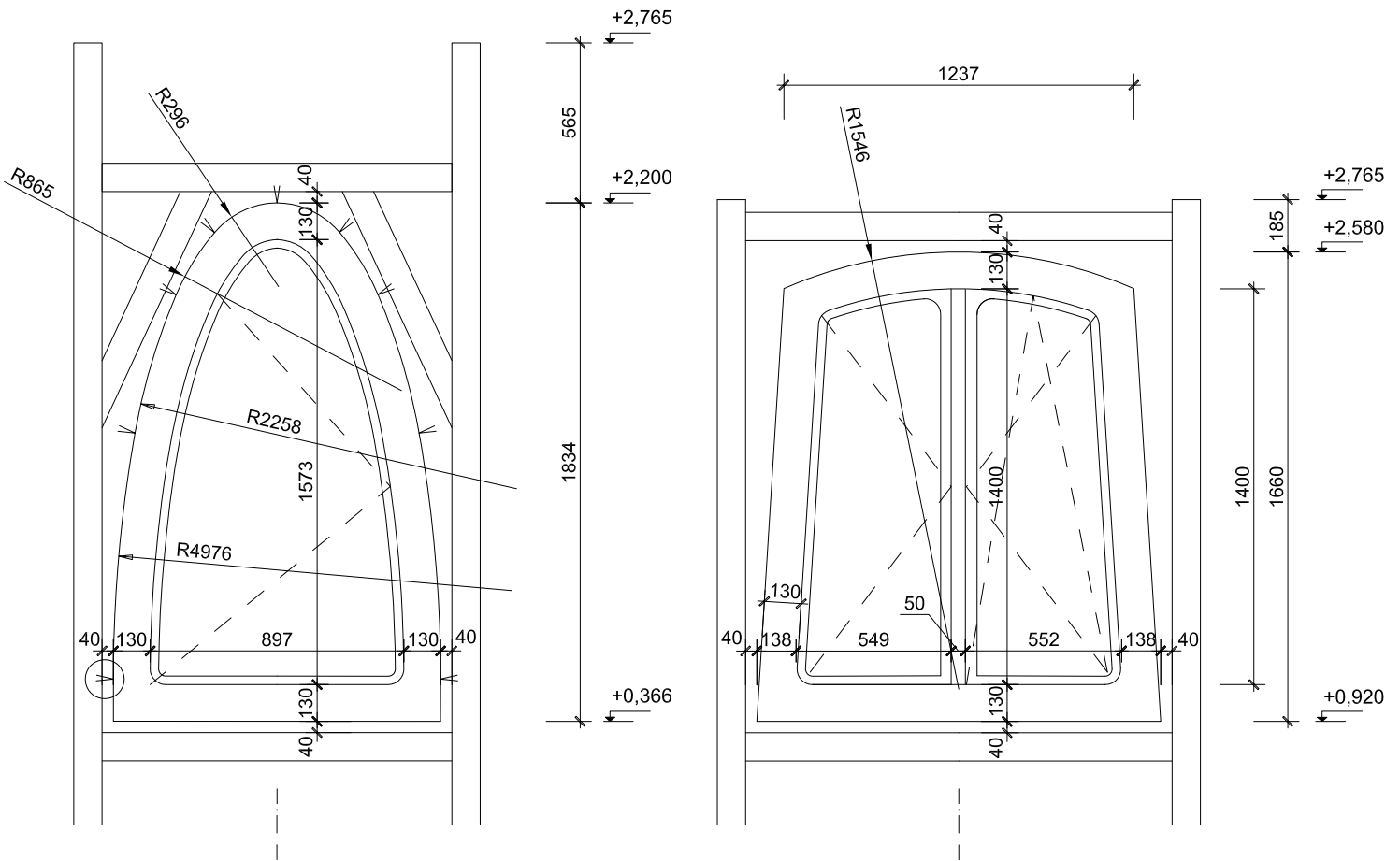


PLAN

EXTERIOR WINDOW		TRIPLE WING	RIGHT
specification	type of mechanism:	hinge&hopper + fixed	
	size w/h :	2034 / 1830	
	door sill:	material of the frame : pine wood	
	...	material of the wing : full board : pine wood	
	latch :	surface : basic oil and 2 layers of hadr wax oil	
	standard window opening	glass : double clear glass	
		!Actual dimensions of parapets, sheets, window and door openings to be checked on site prior to construction!	
		W04	

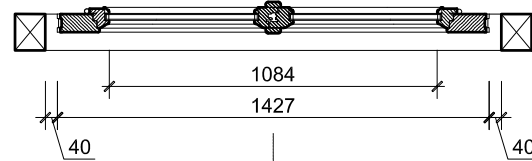


EXTERIOR WINDOW		TRIPLE WING	RIGHT
specification	type of mechanism:	hinge&hopper	
	size w/h :	2951 / 1829	
	door sill:	material of the frame : pine wood	
	...	material of the wing : full board : pine wood	
	latch :	surface : basic oil and 2 layers of hadr wax oil	
	standard window opening	glass : double clear glass	
		!Actual dimensions of parapets, sheets, window and door openings to be checked on site prior to construction!	
		W05	



W06

view ▲

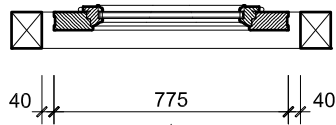
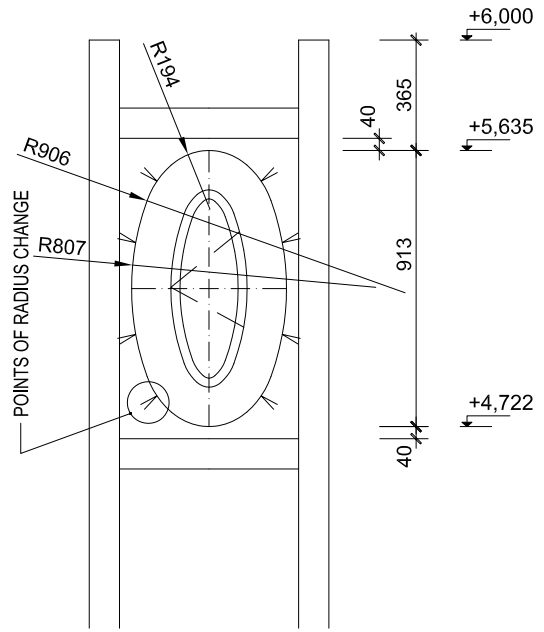
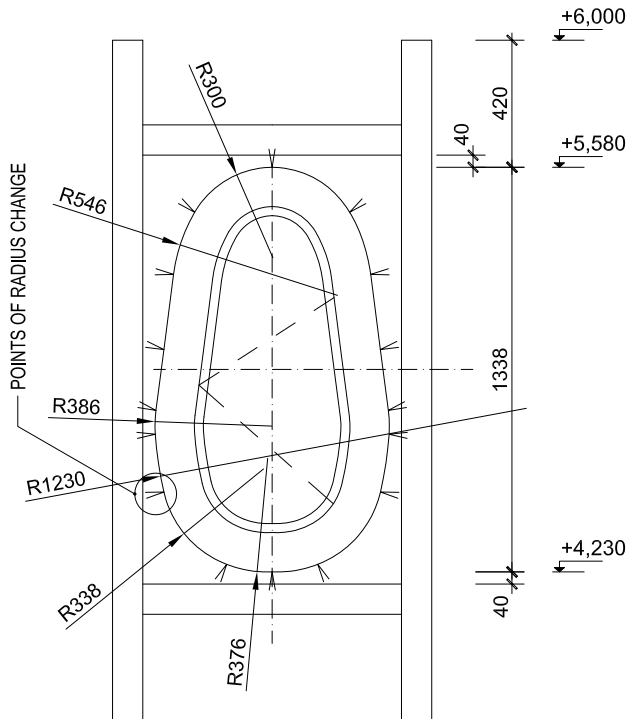


W07

view ▲

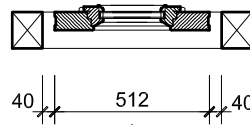
EXTERIOR WINDOW		ONE WING	RIGHT
specification	type of mechanism:	hinge	
	size w/h :	1157 / 1834	
	door sill:	material of the frame : pine wood	
	...	material of the wing : full board : pine wood	
	latch :	standard window opening	
		surface : basic oil and 2 layers of hadr wax oil	
		glass : double clear glass	
		!Actual dimensions of parapets, sheets, window and door openings to be checked on site prior to construction!	
		W06	

EXTERIOR WINDOW		DOUBLE WING	LEFT
specification	type of mechanism:	hinge&hopper	
	size w/h :	1427 / 1660	
	door sill:	material of the frame : pine wood	
	...	material of the wing : full board : pine wood	
	latch :	standard window opening	
		surface : basic oil and 2 layers of hadr wax oil	
		glass : double clear glass	
		!Actual dimensions of parapets, sheets, window and door openings to be checked on site prior to construction!	
		W07	



W09

view ▲

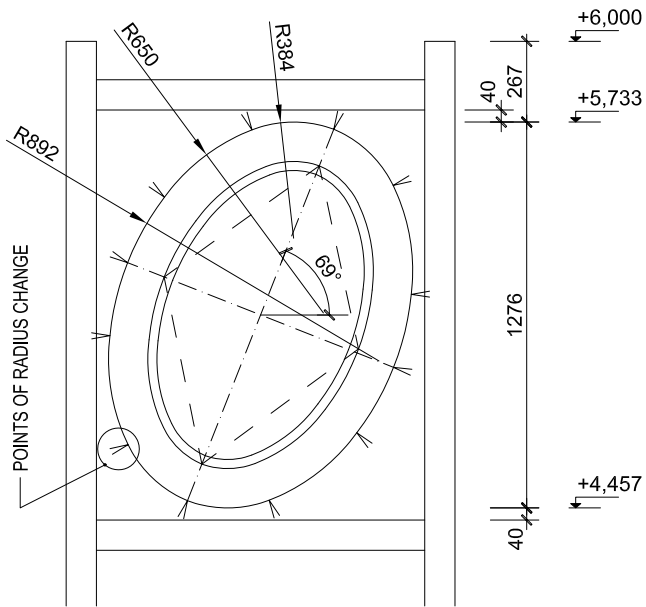


W10

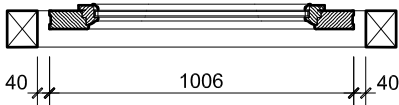
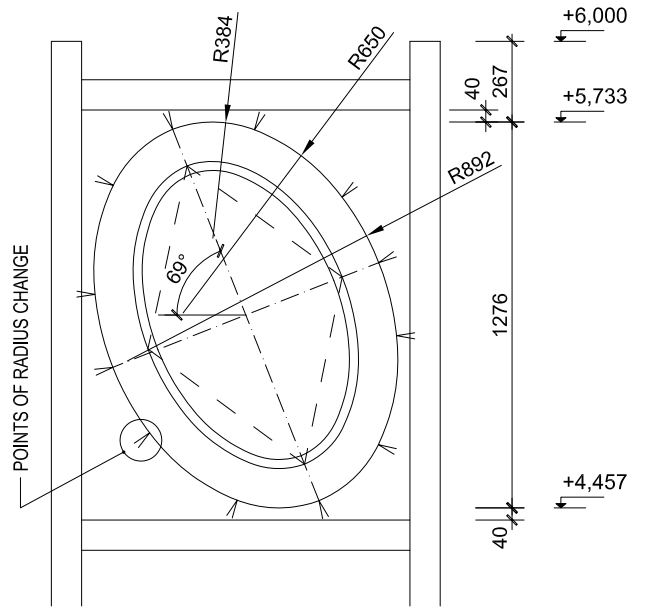
view ▲

EXTERIOR WINDOW		ONE WING	LEFT
specification	type of mechanism:	hinge	
	size w/h :	775 / 1338	
	door sill:	material of the frame : pine wood	
	...	material of the wing : full board : pine wood	
latch :	standard window opening	surface : basic oil and 2 layers of hadr wax oil	
		glass : double clear glass	
		!Actual dimensions of parapets, sheets, window and door openings to be checked on site prior to construction!	
		W09	

EXTERIOR WINDOW		ONE WING	LEFT
specification	type of mechanism:	hinge	
	size w/h :	512 / 913	
	door sill:	material of the frame : pine wood	
	...	material of the wing : full board : pine wood	
latch :	standard window opening	surface : basic oil and 2 layers of hadr wax oil	
		glass : double clear glass	
		!Actual dimensions of parapets, sheets, window and door openings to be checked on site prior to construction!	
		W10	

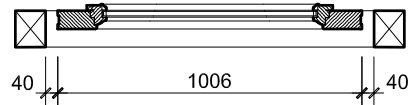


MIRROR COPY



W11

view ▲

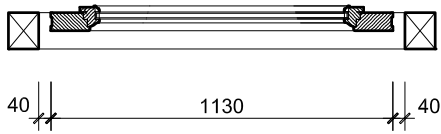
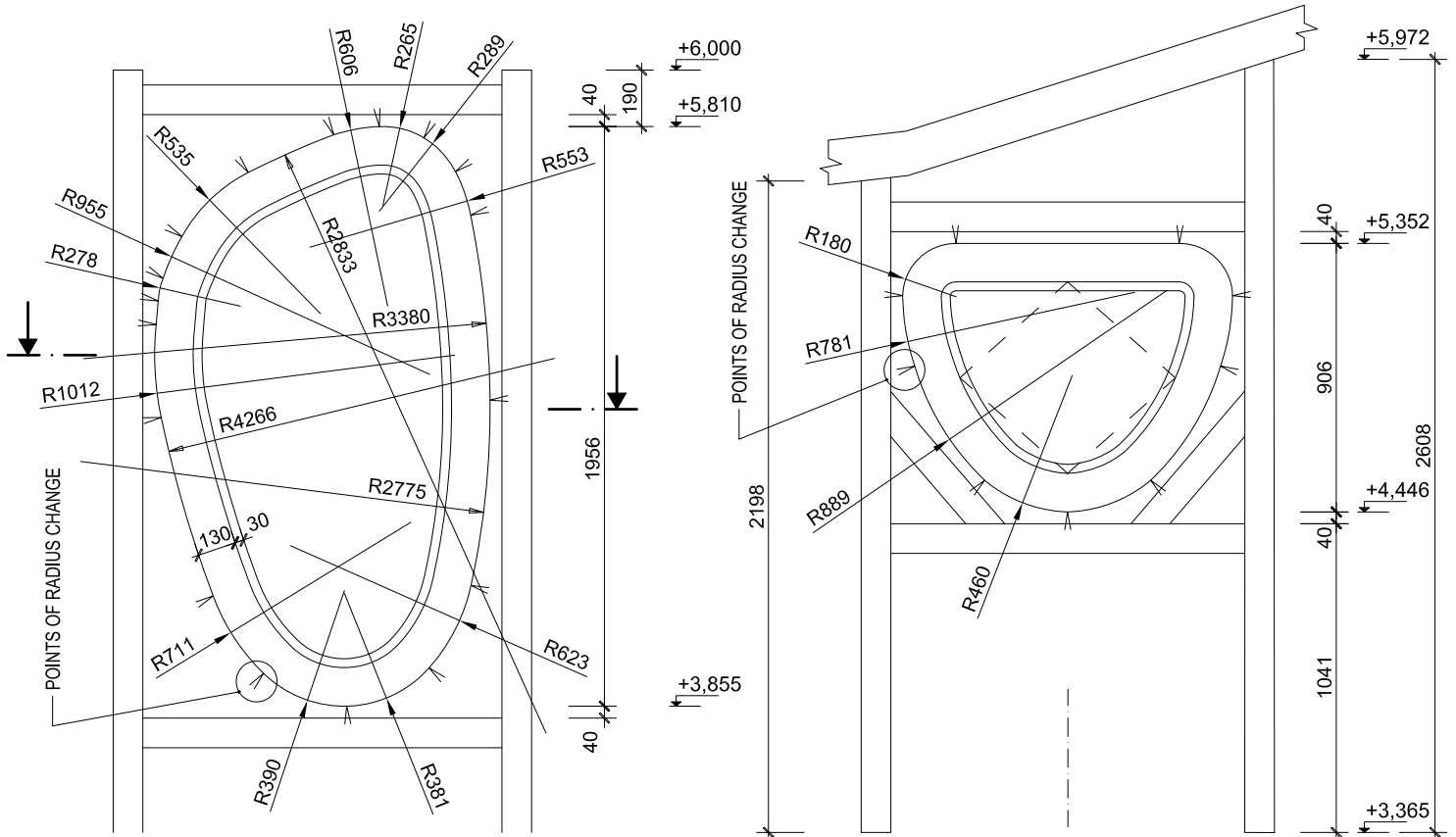


W12

view ▲

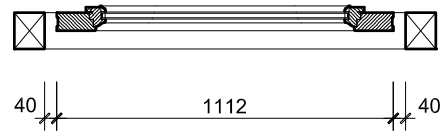
EXTERIOR WINDOW		mirror copy of W12	ONE WING	
specification	type of mechanism:	pivot	material of the frame :	pine wood
	size w/h :	1006 / 1276	material of the wing : full board :	pine wood
	door sill:		surface :	bassic oil and 2 layers of hadr wax oil
	glass :	double clear glass
	latch :	standard window opening	!Actual dimensions of parapets, sheets, window and door openings to be checked on site prior to construction!	
				W11

EXTERIOR WINDOW		mirror copy of W11	ONE WING	
specification	type of mechanism:	pivot	material of the frame :	pine wood
	size w/h :	1006 / 1276	material of the wing : full board :	pine wood
	door sill:		surface :	bassic oil and 2 layers of hadr wax oil
	glass :	double clear glass
	latch :	standard window opening	!Actual dimensions of parapets, sheets, window and door openings to be checked on site prior to construction!	
				W12



W13

view ▲

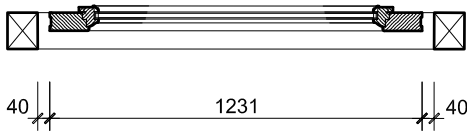
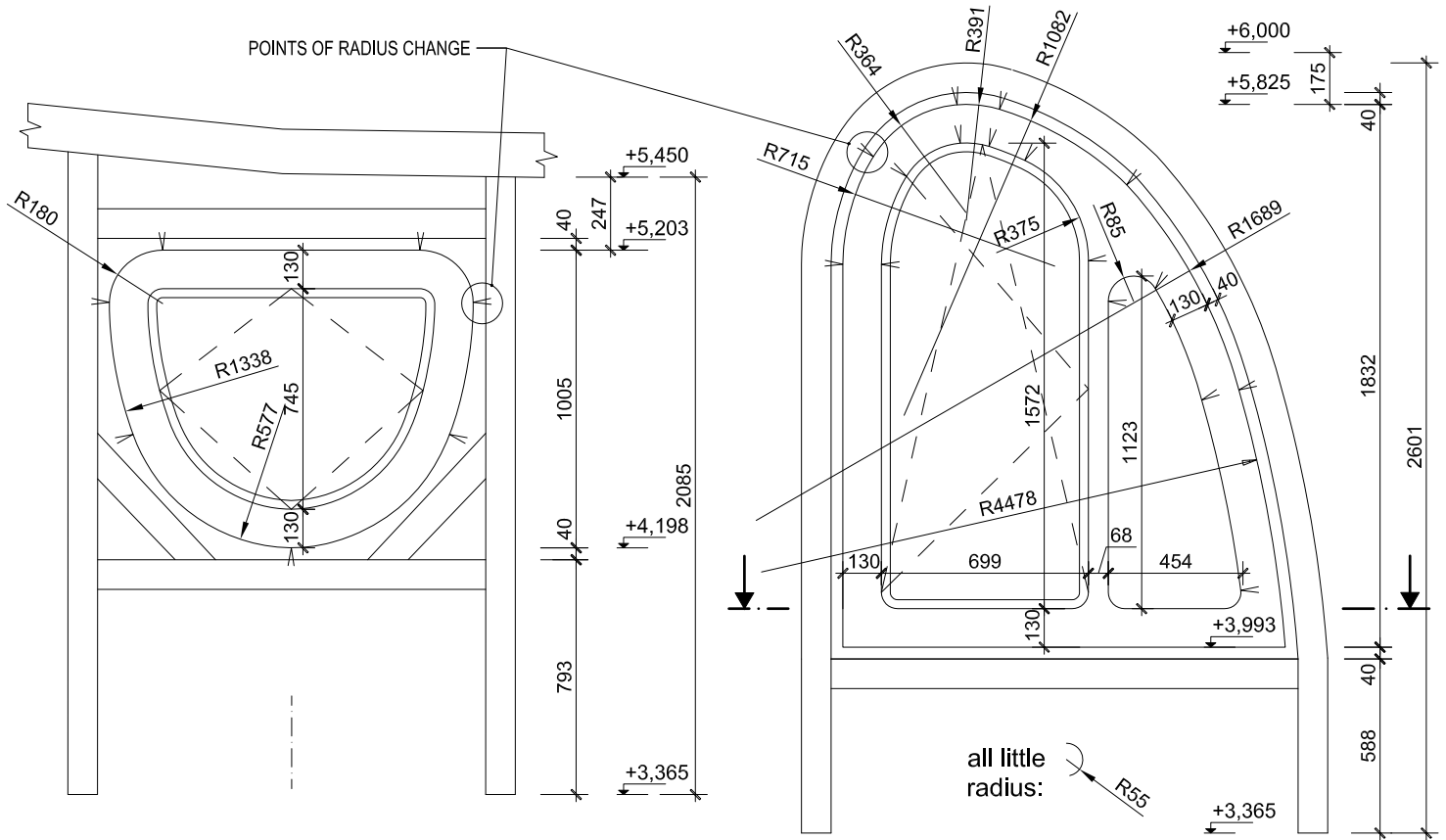


W14

view ▲

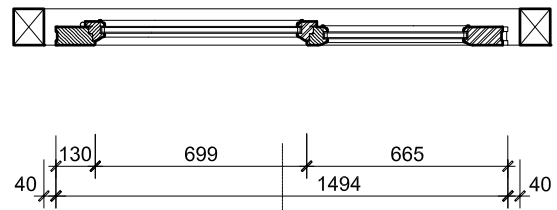
EXTERIOR WINDOW		ONE WING	
specification	type of mechanism:	fixed - possible taking out to interior	material of the frame : pine wood
	size w/h :	1130 / 1956	material of the wing : full board : pine wood
	door sill:		surface : basic oil and 2 layers of hadr wax oil
	glass : double clear glass
	latch :	standard window opening	!Actual dimensions of parapets, sheets, window and door openings to be checked on site prior to construction!
			W13

EXTERIOR WINDOW		ONE WING	
specification	type of mechanism:	awning	material of the frame : pine wood
	size w/h :	1112 / 906	material of the wing : full board : pine wood
	door sill:		surface : basic oil and 2 layers of hadr wax oil
	glass : double clear glass
	latch :	standard window opening	!Actual dimensions of parapets, sheets, window and door openings to be checked on site prior to construction!
			W14



W15

view ▲

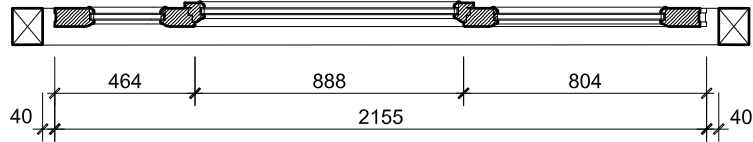
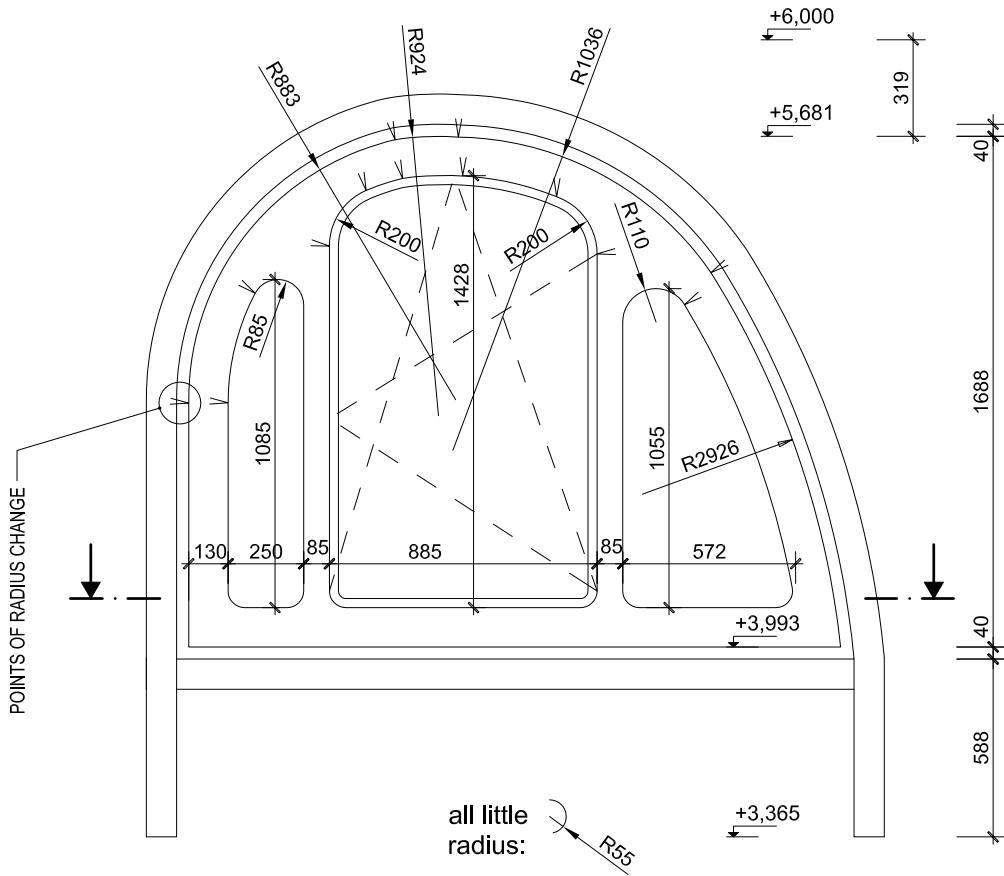


W16

view ▲

EXTERIOR WINDOW		ONE WING	LEFT
specification	type of mechanism:	awning	
	size w/h :	1231 / 1005	
	door sill:		
	
	latch :	standard window opening	
		!Actual dimensions of parapets, sheets, window and door openings to be checked on site prior to construction!	
		W15	

EXTERIOR WINDOW		DOUBLE WING	RIGHT
specification	type of mechanism:	hinge&hopper + fixed	
	size w/h :	1494 / 1832	
	door sill:		
	
	latch :	standard window opening	
		!Actual dimensions of parapets, sheets, window and door openings to be checked on site prior to construction!	
		W16	

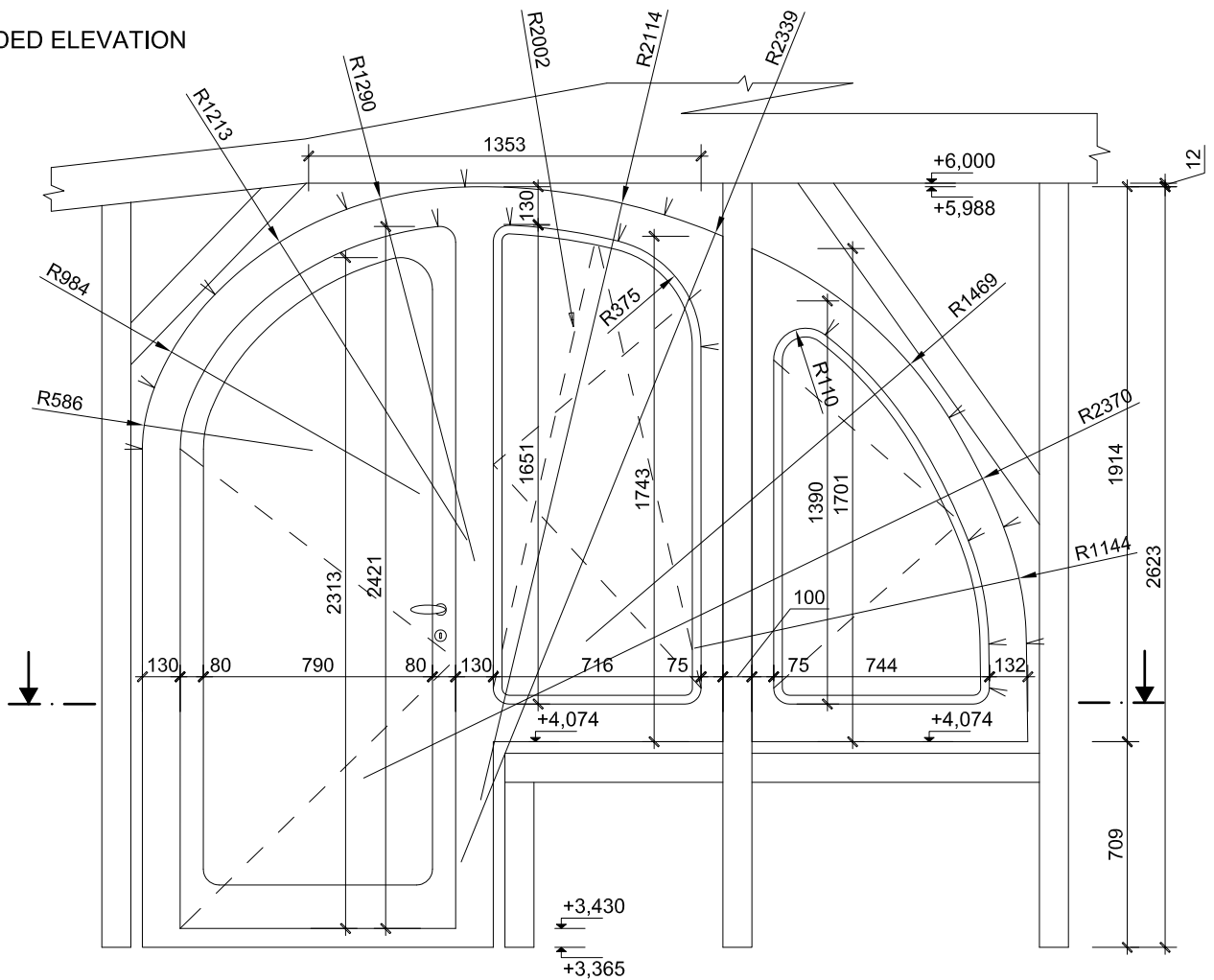


W17

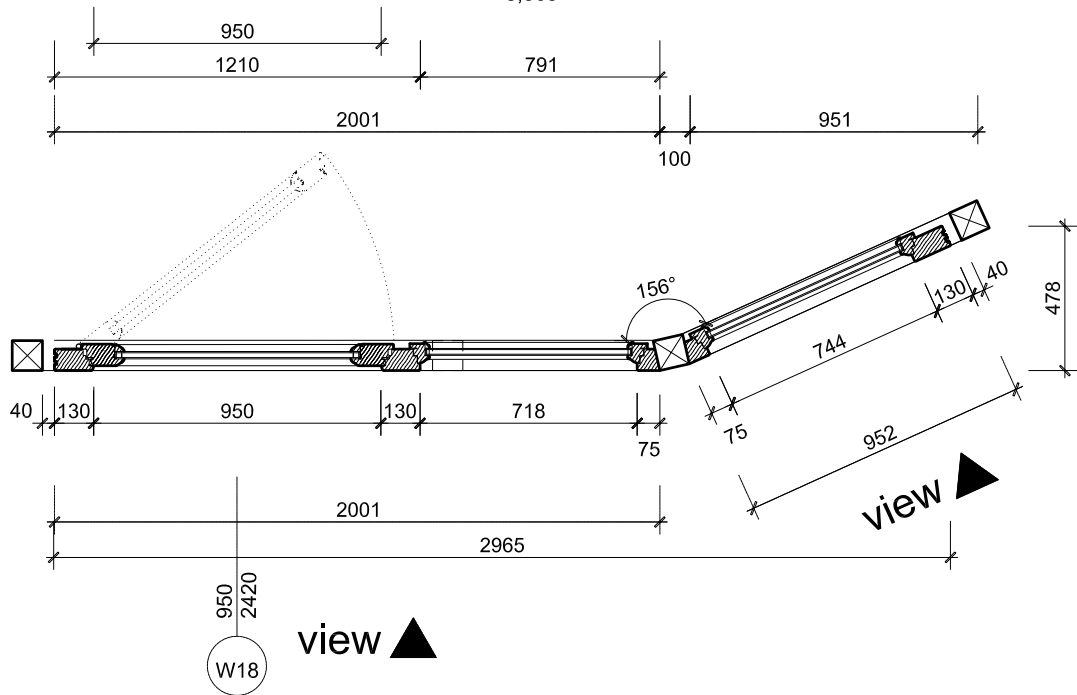
view ▲

EXTERIOR WINDOW		TRIPLE WING	LEFT
specification	type of mechanism:	hinge&hopper + fixed	
	size w/h :	2155 / 1688	
	door sill:	material of the frame : pine wood	
	...	material of the wing : full board : pine wood	
	latch :	standard window opening	
		!Actual dimensions of parapets, sheets, window and door openings to be checked on site prior to construction!	
			W17

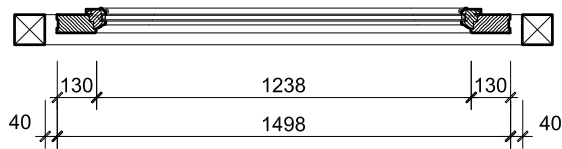
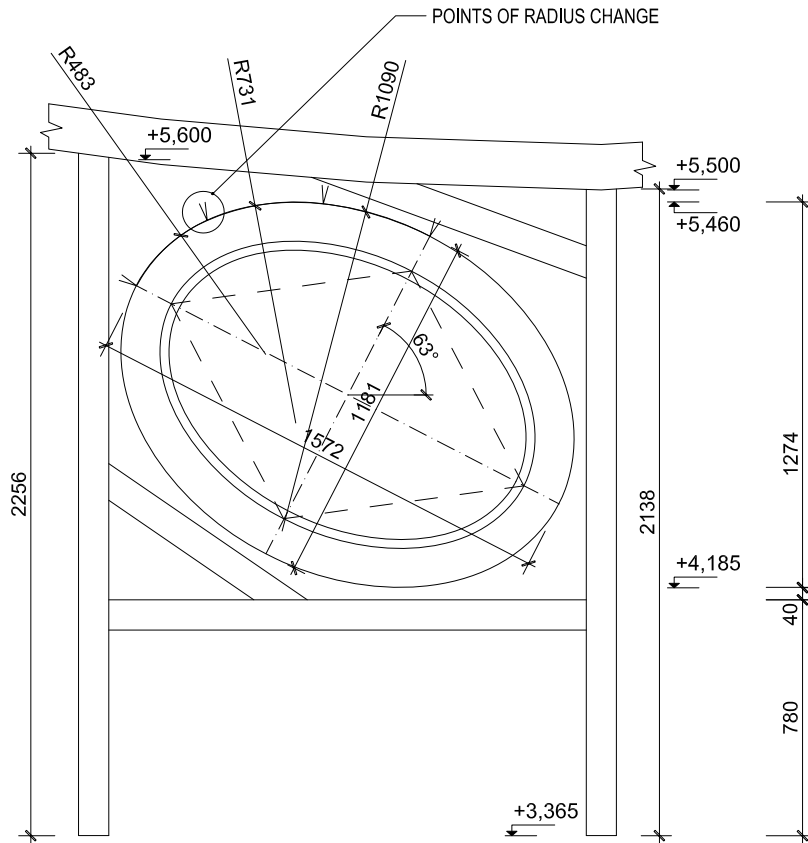
UNFOLDED ELEVATION



PLAN

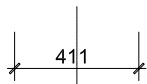
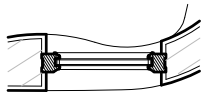
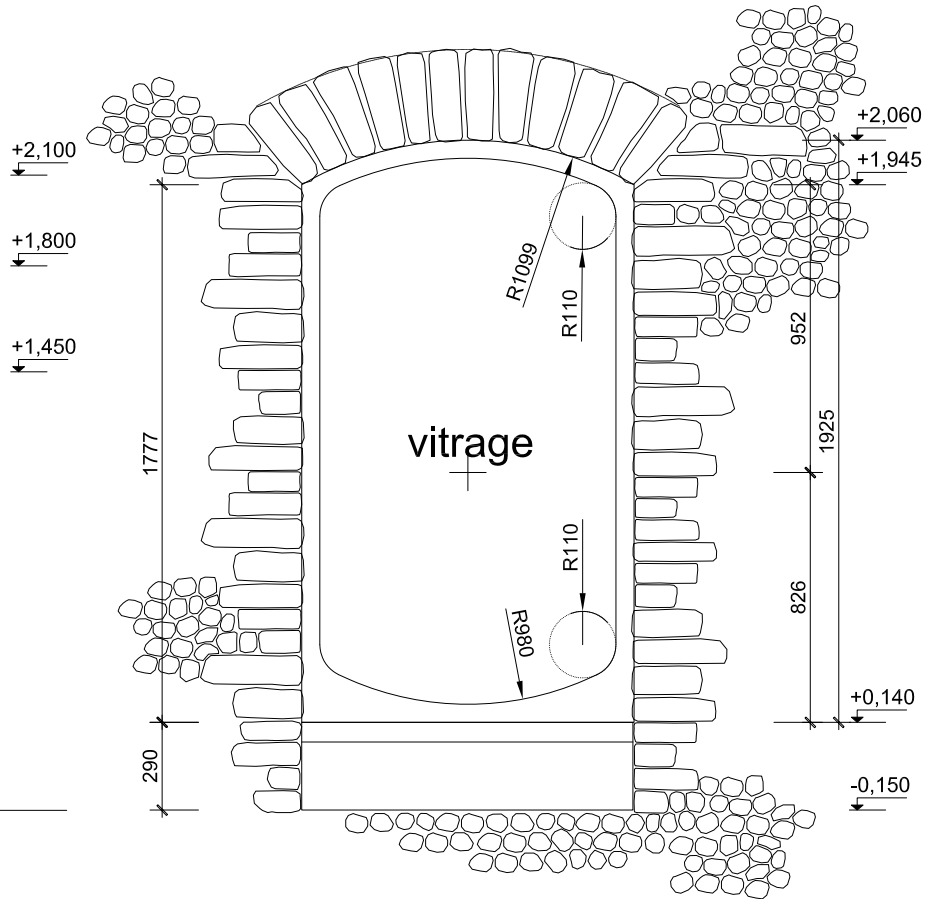
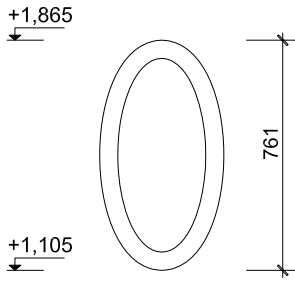


EXTERIOR WINDOW WITH DOORS		TRIPLE WING	RIGHT
specification	type of mechanism:	hinge&hopper	
	size w/h :	950 / 2420 (2965/2623)	
	door sill:	material of the frame : pine wood	
	...	material of the wing : full board : pine wood	
	latch :	standard window opening	
		surface : bassic oil and 2 layers of hadr wax oil	
		glass : double clear glass	
		!Actual dimensions of parapets, sheets, window and door openings to be checked on site prior to construction!	
			W18



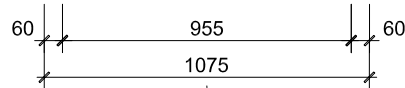
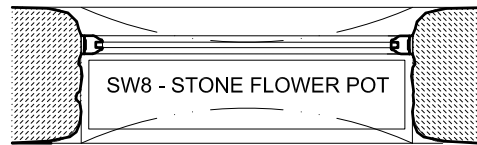
W19

EXTERIOR WINDOW		ONE WING	
specification	type of mechanism:	pivot	material of the frame : pine wood
	size w/h :	1498 / 1274	material of the wing : full board : pine wood
	door sill:		surface : basic oil and 2 layers of hadr wax oil
	glass : double clear glass
	latch :	standard window opening	!Actual dimensions of parapets, sheets, window and door openings to be checked on site prior to construction!
			W19



view ▲

W20

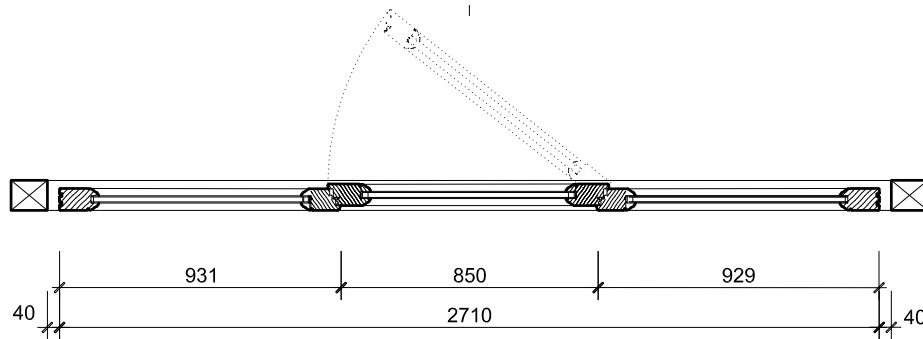
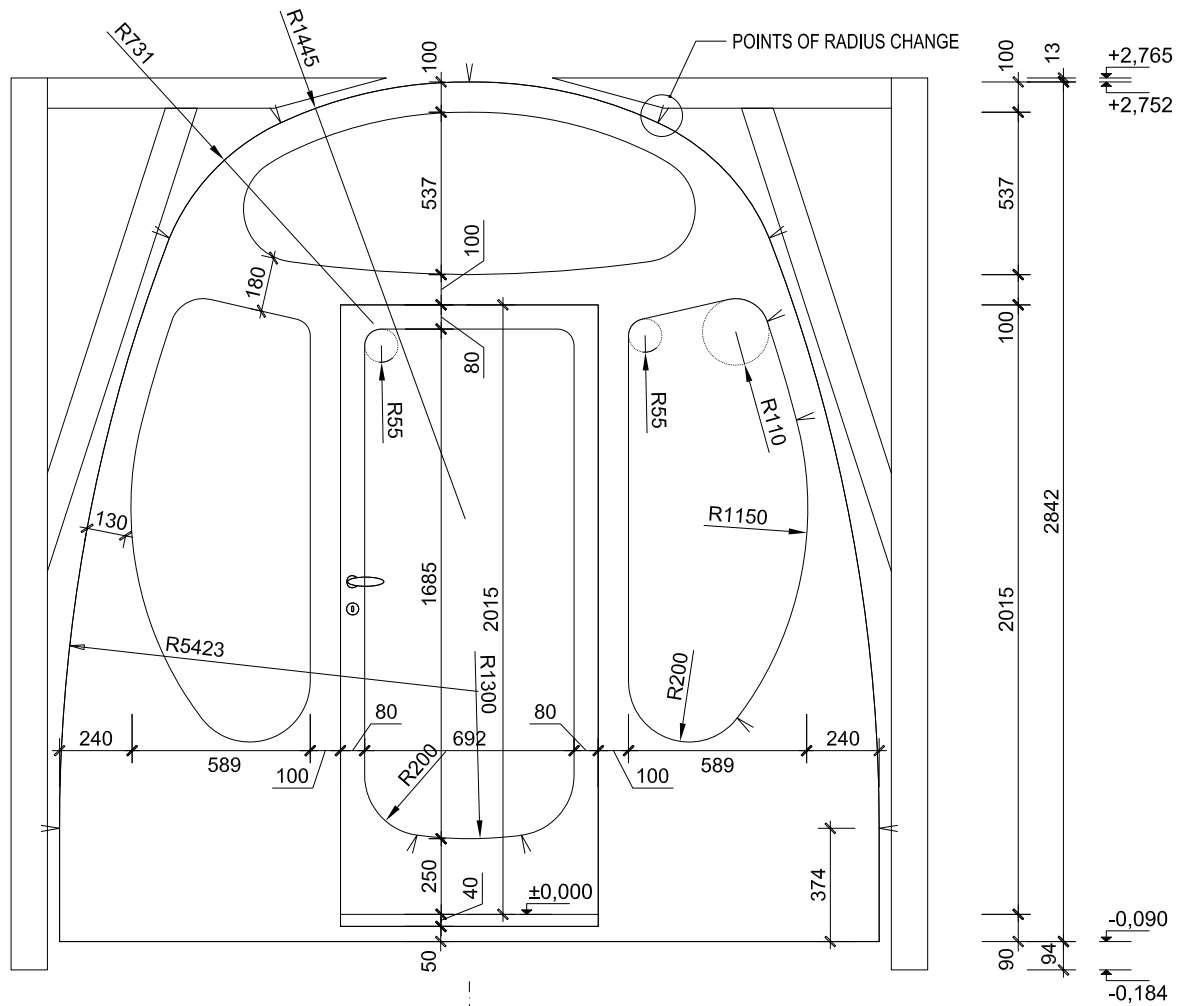


view ▲

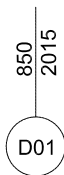
W21

INTERIOR WINDOW		ONE WING	FIXED
specification	type of mechanism:	fixed	material of the frame : pine wood
	size w/h :	411 / 671	material of the wing : full board : pine wood
	surface : basic oil and 2 layers of hadr wax oil
	latch :	none	glass : sandblasted glass
			!Actual dimensions of parapets, sheets, window and door openings to be checked on site prior to construction!
			W20

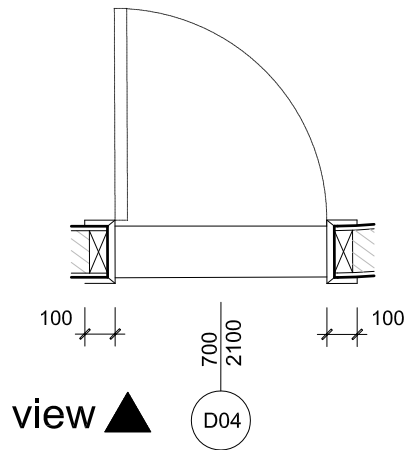
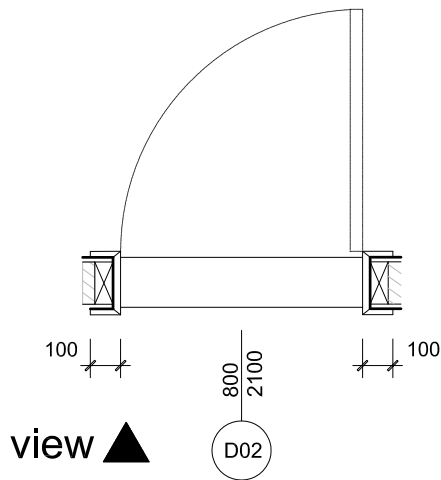
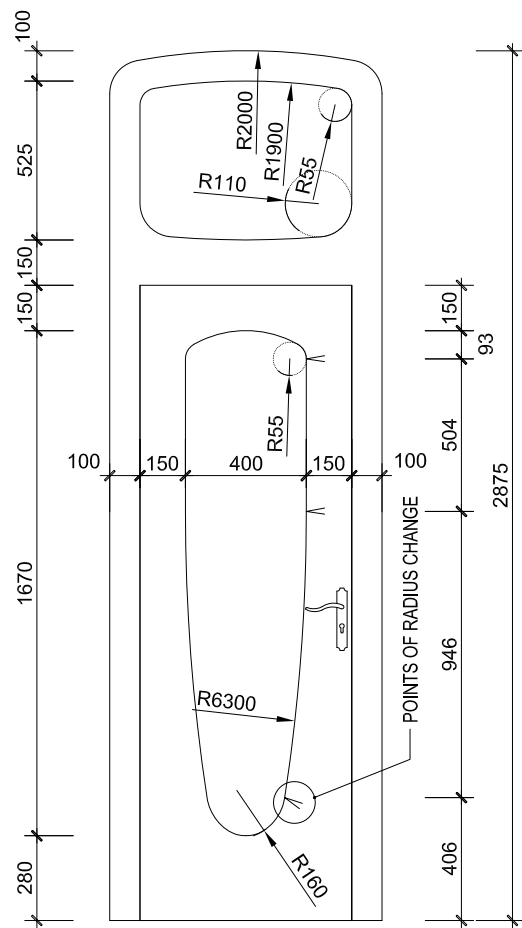
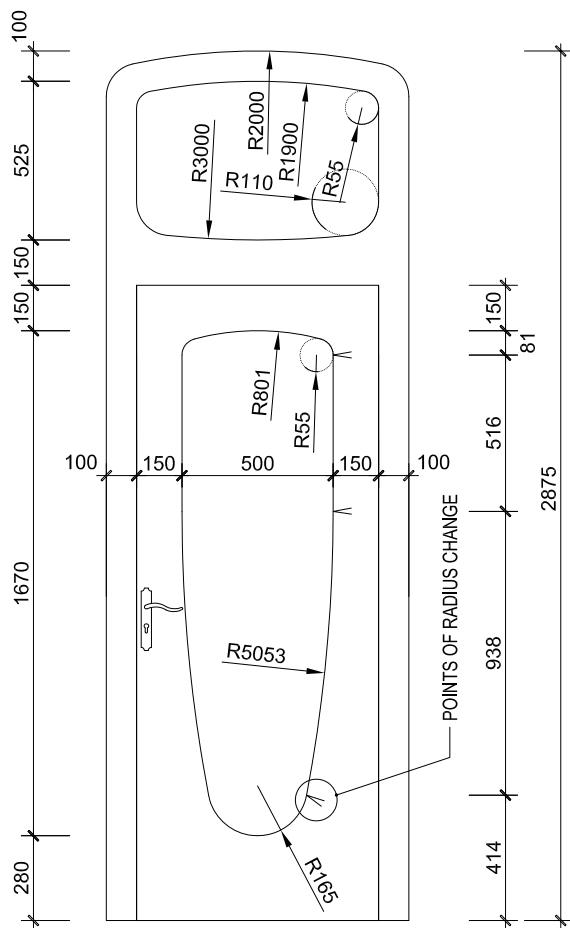
INTERIOR WINDOW - VITRAGE		ONE WING	FIXED
specification	type of mechanism:	fixed	material of the frame : pine wood
	size w/h :	1075 / 1925	material of the wing : full board : pine wood
	surface : basic oil and 2 layers of hadr wax oil
	latch :	none	glass : vitrage
			!Actual dimensions of parapets, sheets, window and door openings to be checked on site prior to construction!
			W21



view ▲

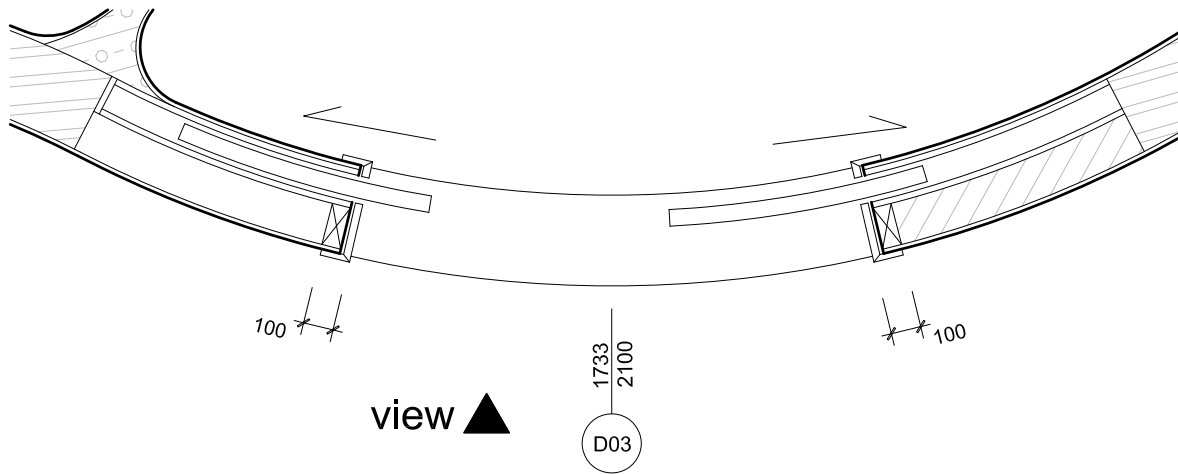
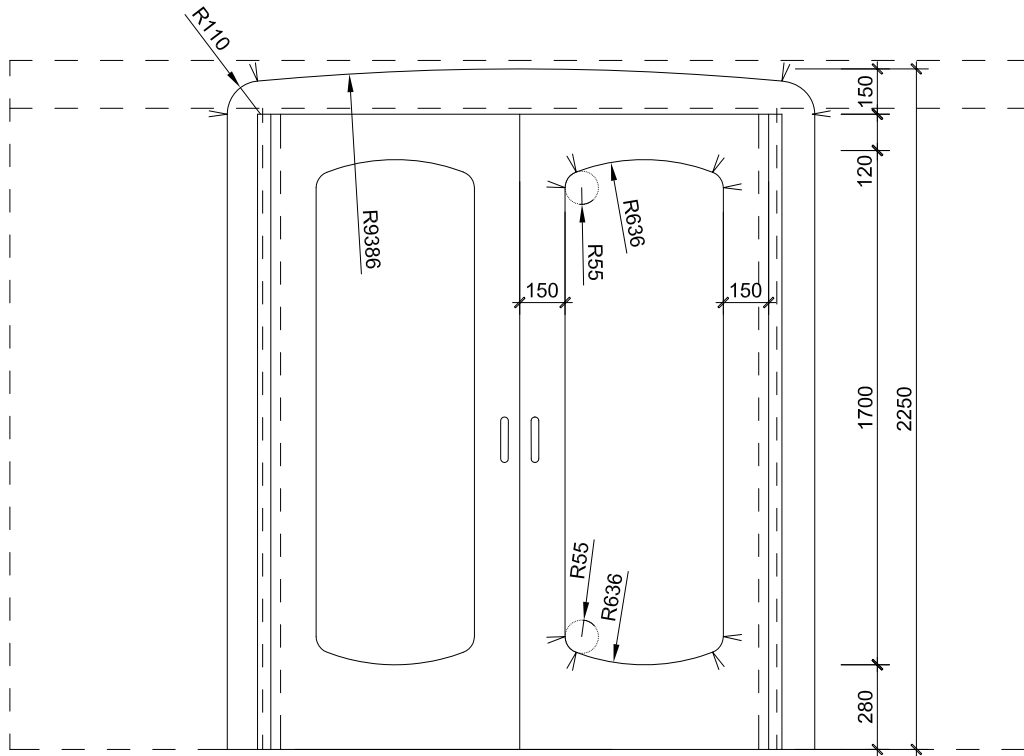


EXTERIOR DOOR		ONE WING	LEFT
specification	type of mechanism:	hinge, fixed window	material of the frame : oak wood
	size w/h :	850 / 2015 (2710/2842)	material of the wing : full board : oak wood
	door sill:	C30 massive oak	surface : basic oil and 2 layers of hadr wax oil
	glass : double clear glass
	latch :	cylinder security lock	
!Actual dimensions of parapets, sheets, window and door openings to be checked on site prior to construction!			D01

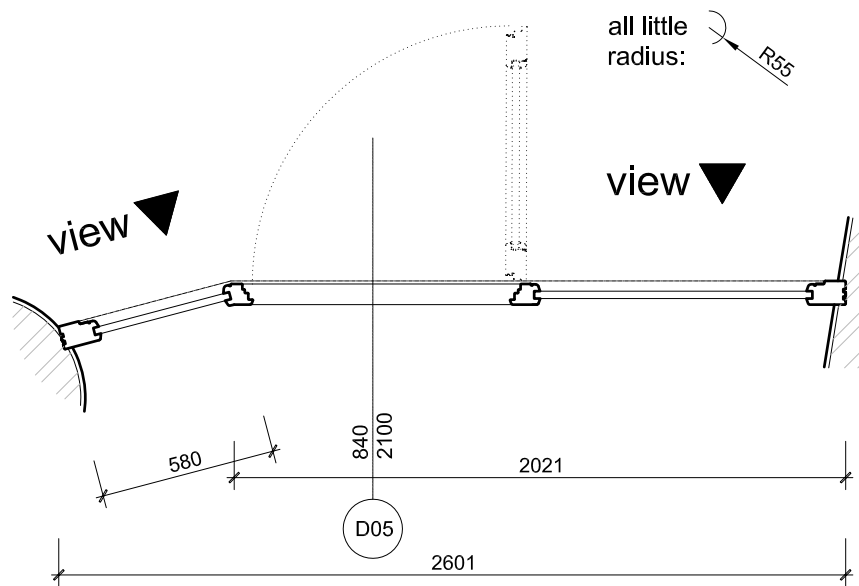
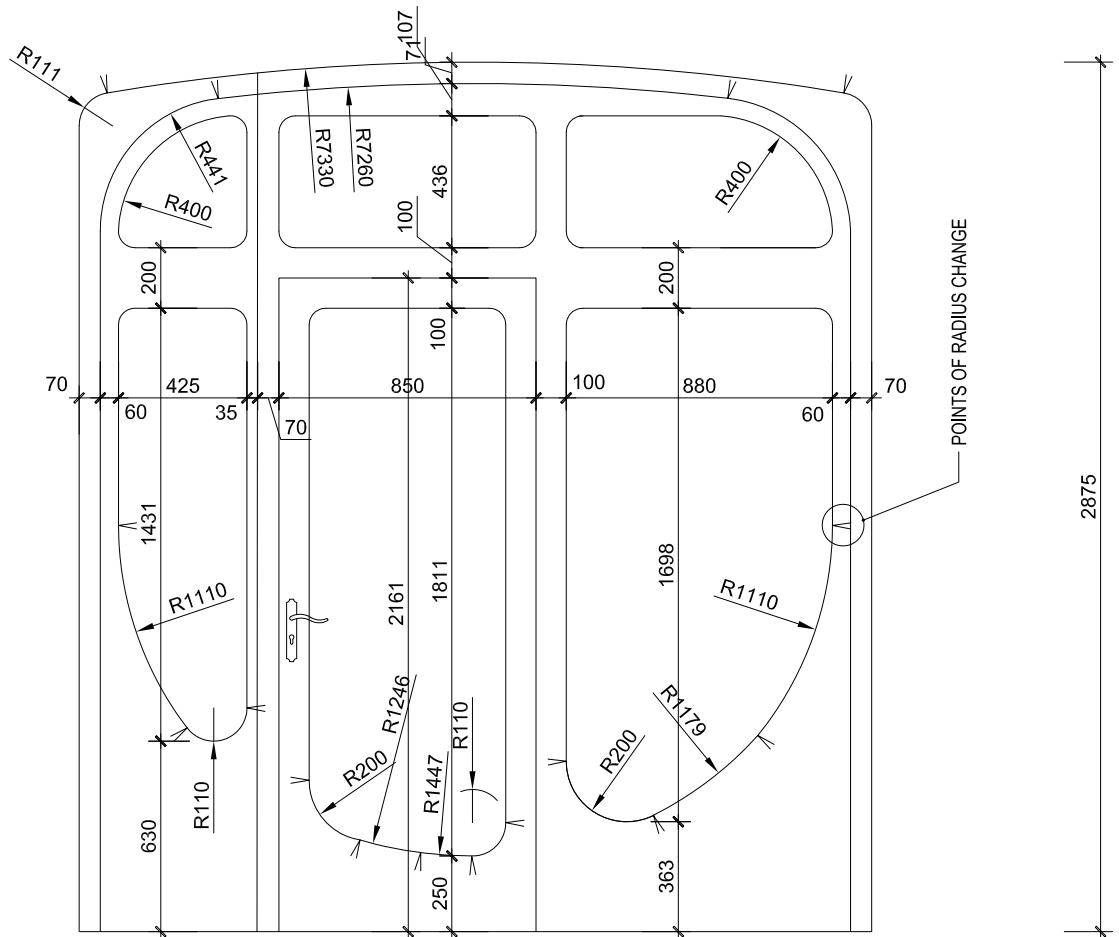


INTERIOR DOOR		ONE WING	LEFT
specification	type of mechanism:	hinge, fixed window	material of the frame : pine wood
	size w/h :	800 / 2100 (1000/2875)	material of the wing : full board : pine wood
	door sill:	none	surface : bassic oil and 2 layers of hadr wax oil
	glass : sandblasted glass
	latch :	room lock	!Actual dimensions of parapets, sheets, window and door openings to be checked on site prior to construction!

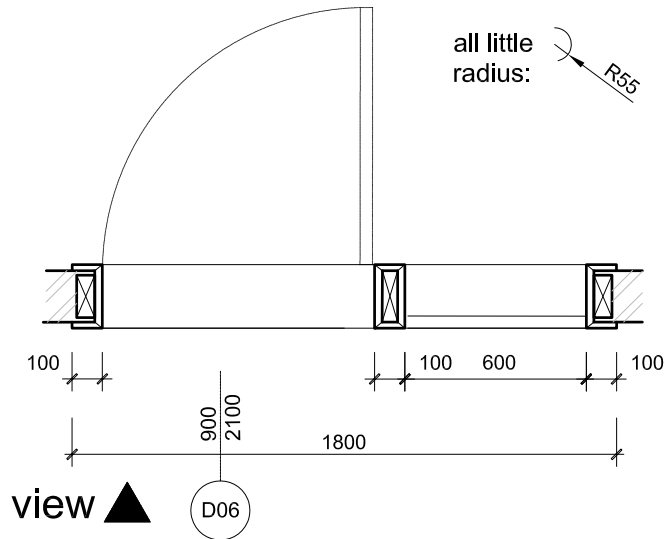
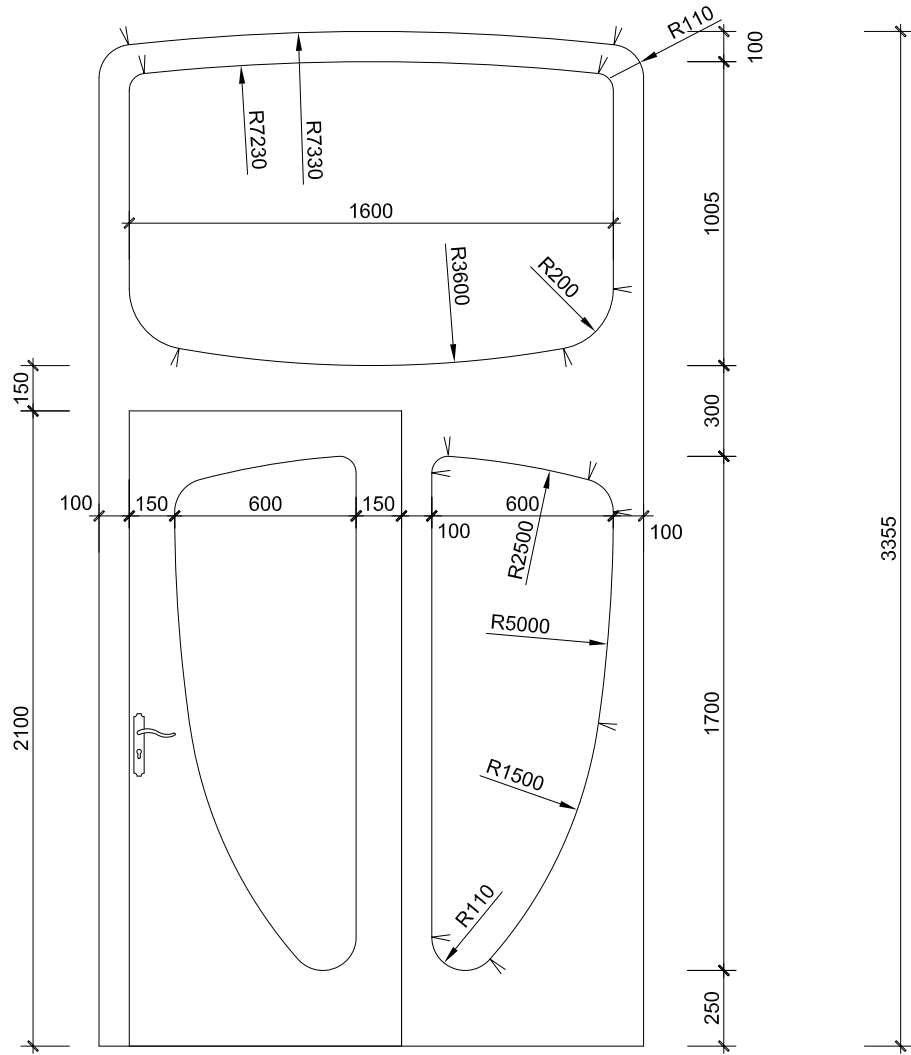
INTERIOR DOOR		ONE WING	RIGHT
specification	type of mechanism:	hinge, fixed window	material of the frame : pine wood
	size w/h :	700 / 2100 (1000/2875)	material of the wing : full board : pine wood
	door sill:	none	surface : bassic oil and 2 layers of hadr wax oil
	glass : sandblasted glass
	latch :	room lock	!Actual dimensions of parapets, sheets, window and door openings to be checked on site prior to construction!



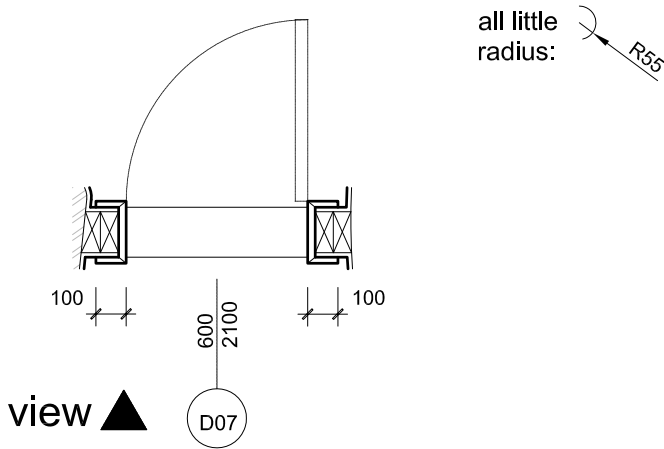
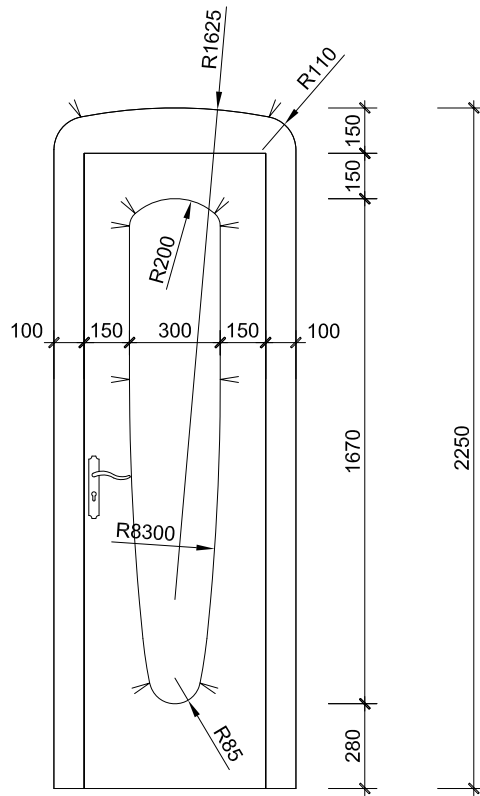
INTERIOR SLIDING DOOR		TWO WINGS	
specification	type of mechanism:	slide to hidden housing	material of the frame : pine wood
	size w/h :	1733 / 2100	material of the wing : full board : pine wood
	door sill:	none	surface : basic oil and 2 layers of hadr wax oil
	glass : none, wooden veneer panel
	latch :	room lock	
!Actual dimensions of parapets, sheets, window and door openings to be checked on site prior to construction!			D03



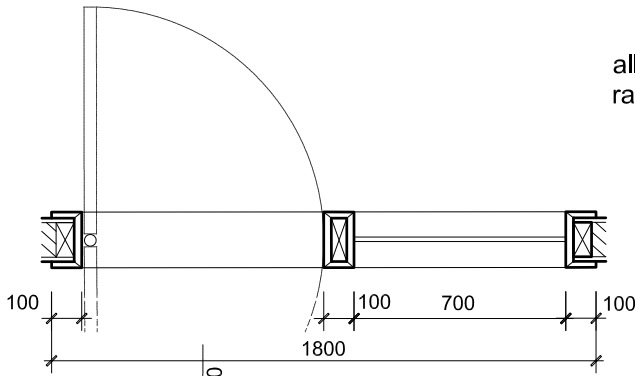
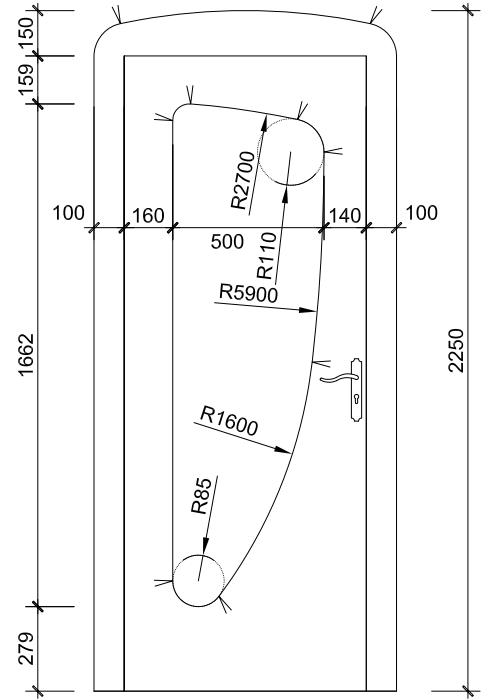
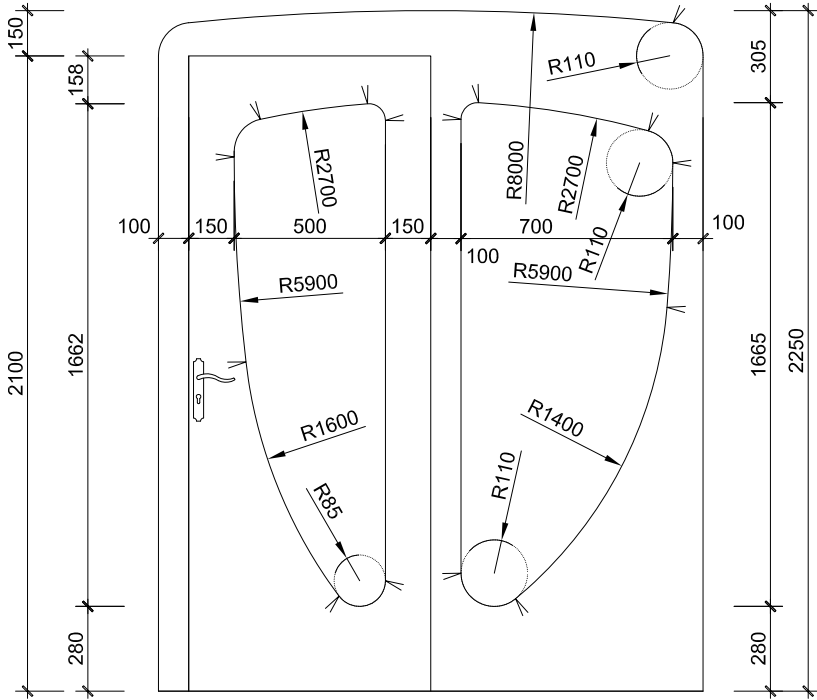
INTERIOR DOOR		ONE WING	LEFT
specification	type of mechanism:	hinge, fixed window	
	size w/h :	840 / 2100 (2601/2875)	
	door sill:	none	
	
	latch :	room lock	
		!Actual dimensions of parapets, sheets, window and door openings to be checked on site prior to construction!	
			D05



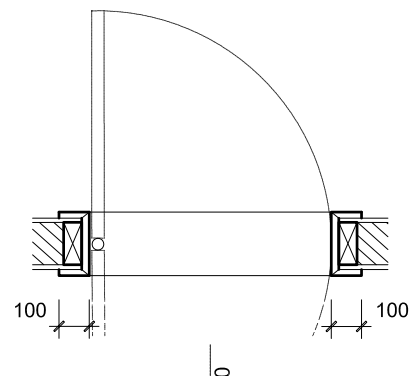
INTERIOR DOOR		ONE WING	LEFT
specification	type of mechanism:	hinge, fixed window	
	size w/h :	900 / 2100 (1800/3355)	
	door sill:	none	
	
	latch :	room lock	
		!Actual dimensions of parapets, sheets, window and door openings to be checked on site prior to construction!	
			D06



INTERIOR DOOR		ONE WING	LEFT
specification	type of mechanism:	hinge	material of the frame : pine wood
	size w/h :	600 / 2100	material of the wing : full board : pine wood
	door sill:	none	surface : bassic oil and 2 layers of hadr wax oil
	glass : none, wooden veneer panel
	latch :	room lock	
!Actual dimensions of parapets, sheets, window and door openings to be checked on site prior to construction!			D07



all little radius: R35



view ▲

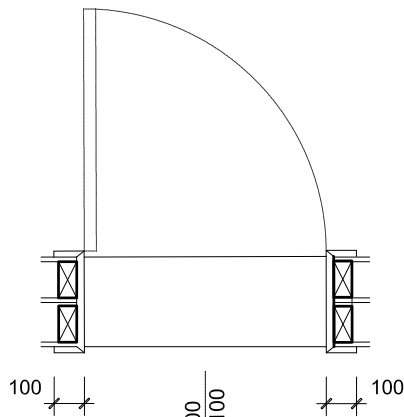
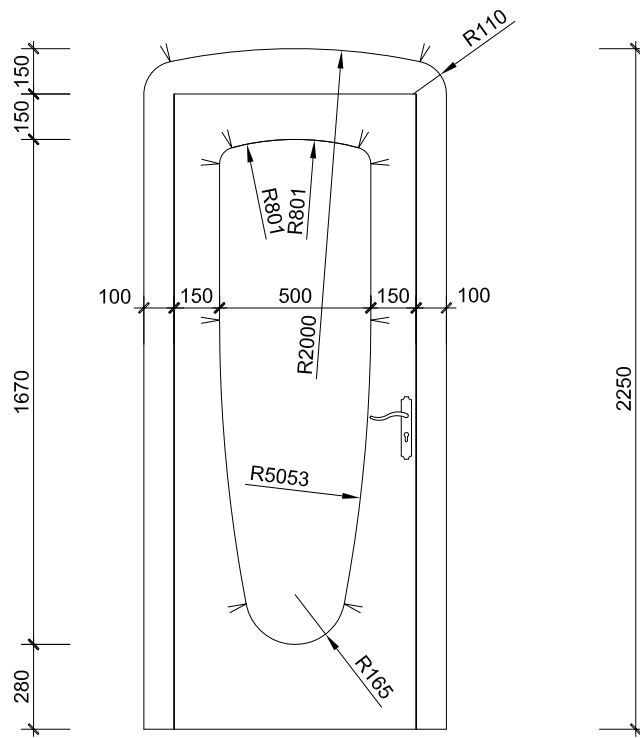
D08

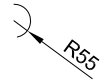
view ▲

D09

INTERIOR DOOR		ONE WING	
specification	type of mechanism:	hinge, fixed window	material of the frame : pine wood
	size w/h :	800 / 2100 (1800/2250)	material of the wing : full board : pine wood
	door sill:	none	surface : basic oil and 2 layers of hadr wax oil
	glass : simple clear glass
	latch :	room lock	
			!Actual dimensions of parapets, sheets, window and door openings to be checked on site prior to construction!
			D08

INTERIOR DOOR		ONE WING	
specification	type of mechanism:	hinge	material of the frame : pine wood
	size w/h :	800 / 2100	material of the wing : full board : pine wood
	door sill:	none	surface : basic oil and 2 layers of hadr wax oil
	glass : simple clear glass
	latch :	room lock	
			!Actual dimensions of parapets, sheets, window and door openings to be checked on site prior to construction!
			D09

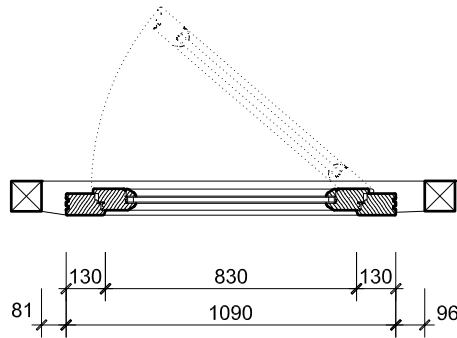
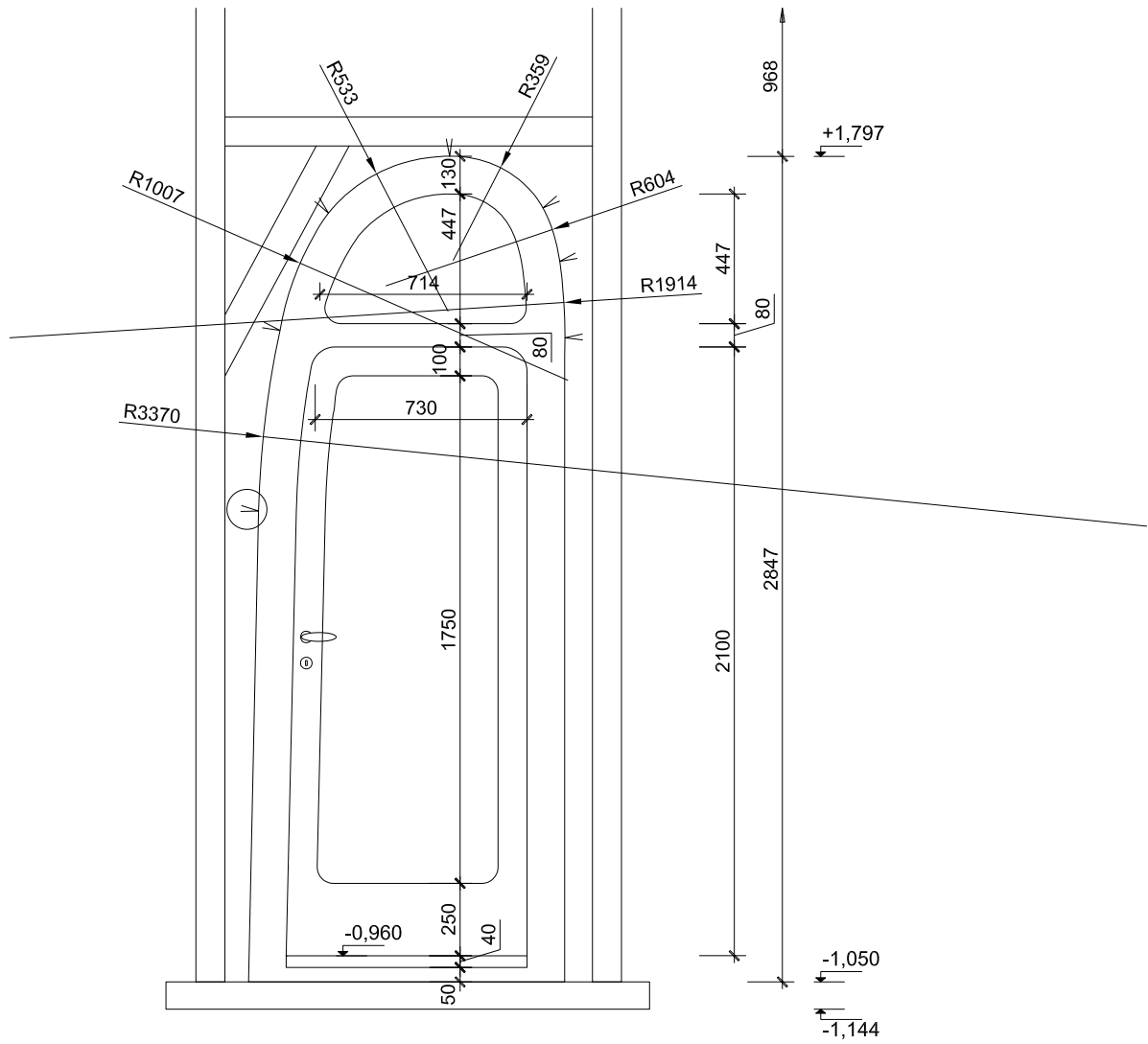


all little radius: 

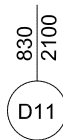
view ▲

D10

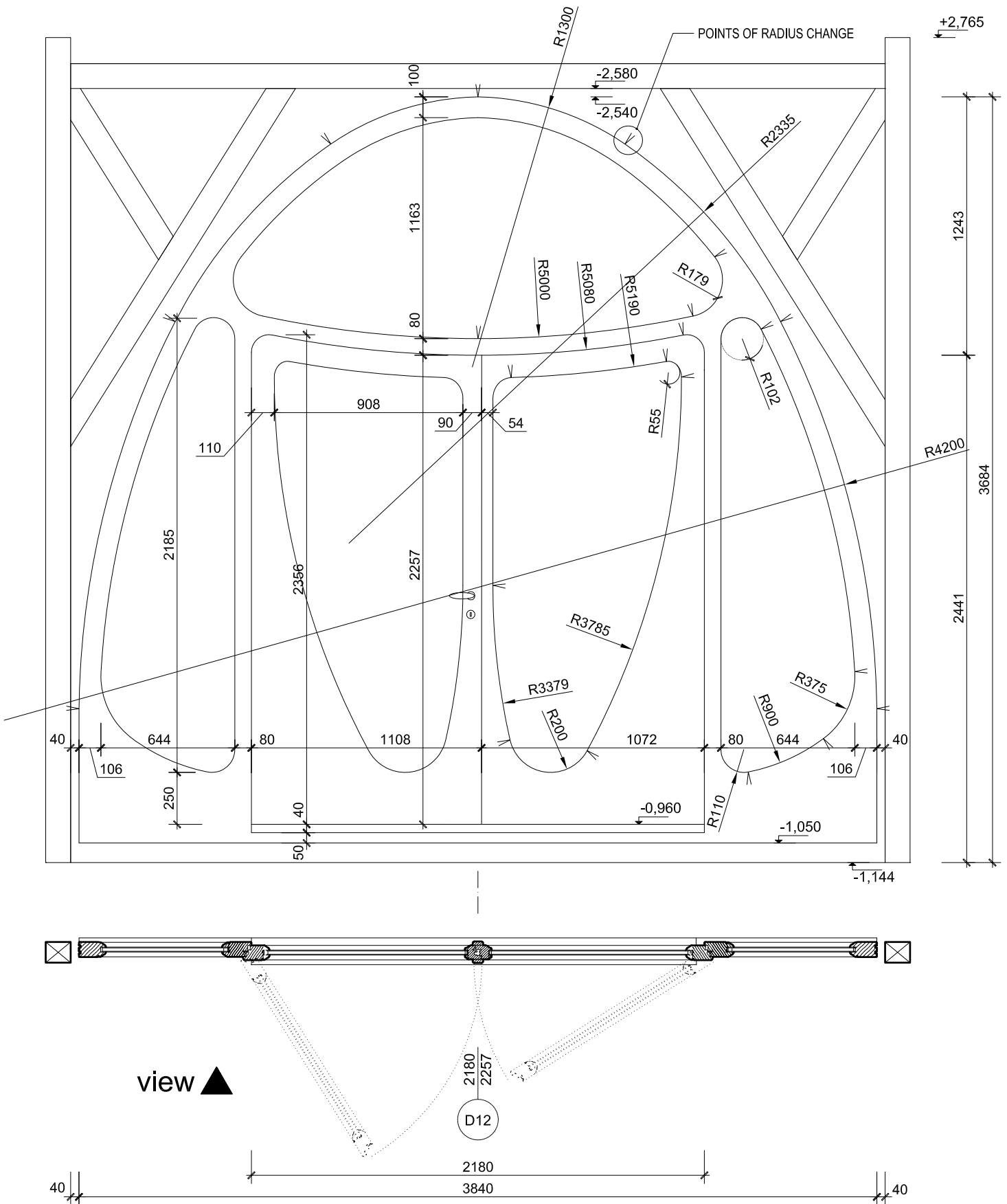
INTERIOR DOOR		ONE WING	RIGHT
specification	type of mechanism:	hinge	material of the frame : pine wood
	size w/h :	800 / 2100	material of the wing : full board : pine wood
	door sill:	none	surface : basic oil and 2 layers of hadr wax oil
	glass : sandblasted glass
	latch :	room lock	!Actual dimensions of parapets, sheets, window and door openings to be checked on site prior to construction!



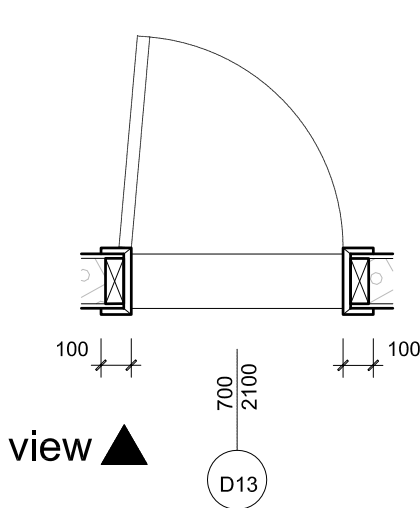
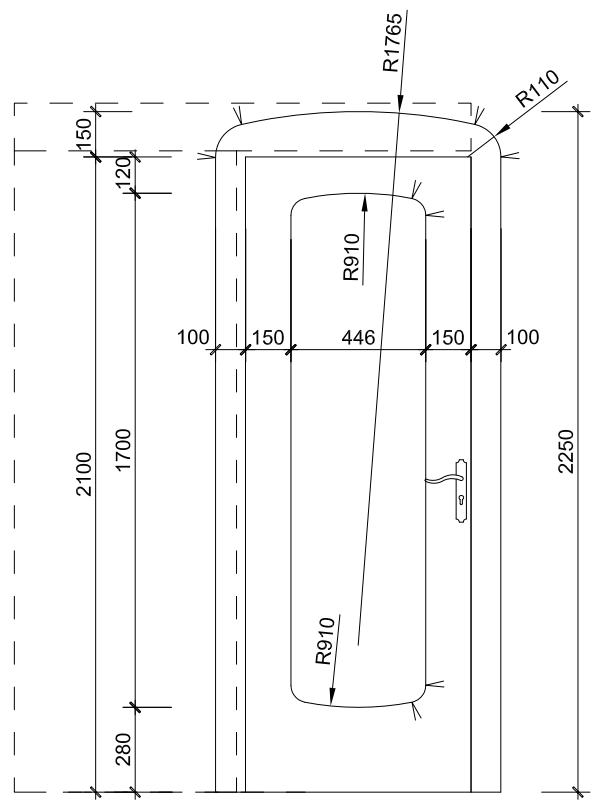
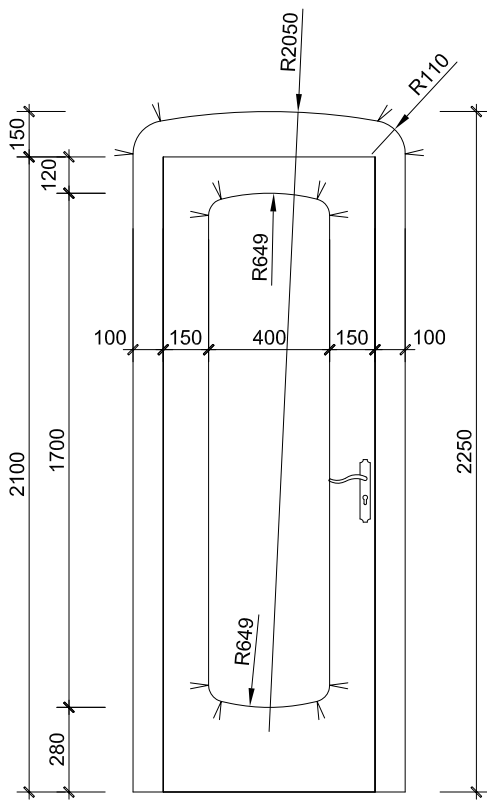
view ▲



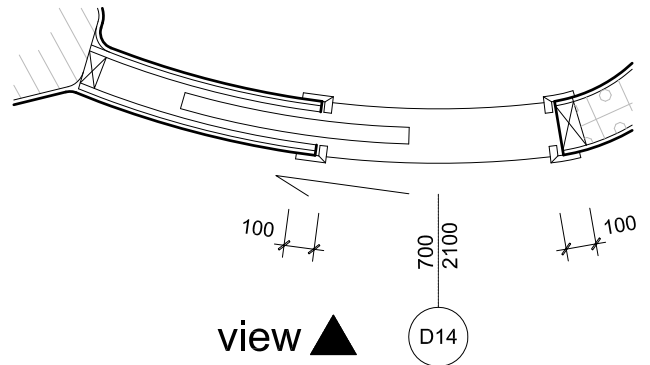
EXTERIOR DOOR		ONE WING	LEFT
specification	type of mechanism:	hinge, fixed window	material of the frame : oak wood
	size w/h :	830 / 2100 (1090/2847)	material of the wing : full board : oak wood
	door sill:	C30 massive oak	surface : bassic oil and 2 layers of hadr wax oil
	glass : double clear glass
	latch :	cylinder security lock	
!Actual dimensions of parapets, sheets, window and door openings to be checked on site prior to construction!			D11



EXTERIOR DOOR		DOUBLE WING	LEFT
specification	type of mechanism:	hinge, fixed window	material of the frame : oak wood
	size w/h :	2180 / 2257 (3840/3684)	material of the wing : full board : oak wood
	door sill:	C29 massive oak	surface : basic oil and 2 layers of hadr wax oil
	glass : double clear glass
	latch :	cylinder security lock	
			!Actual dimensions of parapets, sheets, window and door openings to be checked on site prior to construction!
			D12

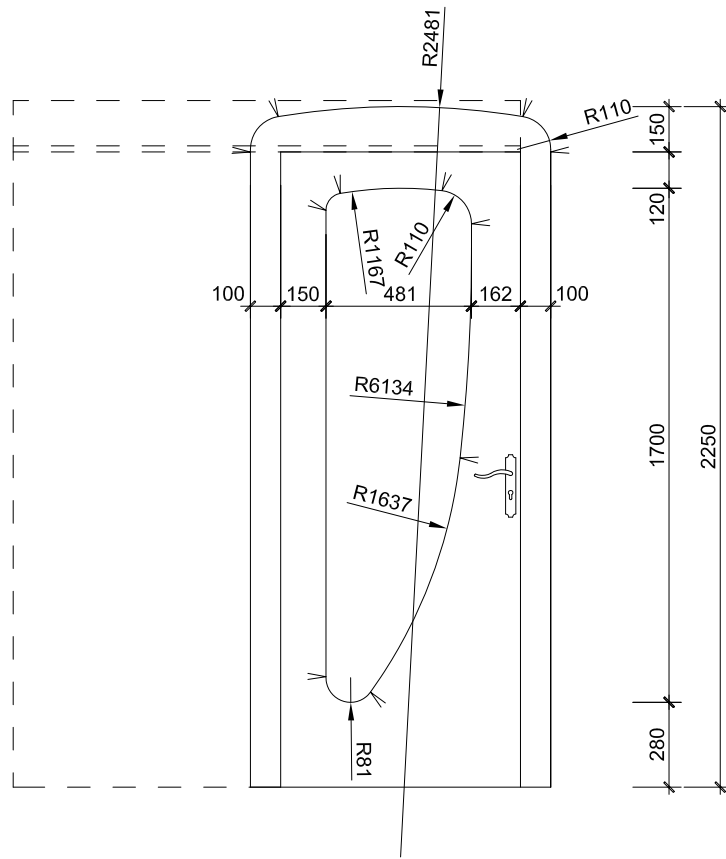


all little radius: $R55$

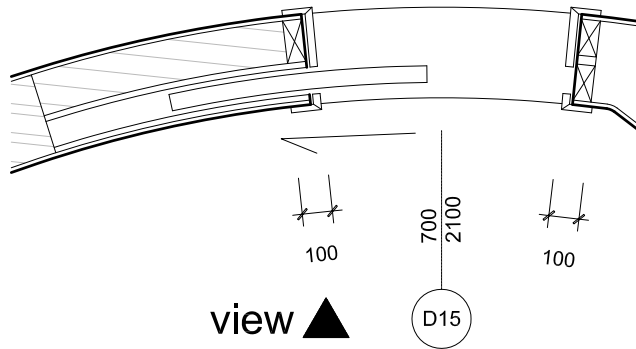


INTERIOR DOOR		ONE WING	RIGHT
specification	type of mechanism:	hinge	material of the frame : pine wood
	size w/h :	700 / 2100	material of the wing : full board : pine wood
	door sill:	none	surface : basic oil and 2 layers of hadr wax oil
	glass : none, wooden veneer panel
	latch :	room lock	!Actual dimensions of parapets, sheets, window and door openings to be checked on site prior to construction!
			D13

INTERIOR SLIDING DOOR		ONE WING	
specification	type of mechanism:	slide to hidden housing	material of the frame : pine wood
	size w/h :	700 / 2100	material of the wing : full board : pine wood
	door sill:	none	surface : basic oil and 2 layers of hadr wax oil
	glass : none, wooden veneer panel
	latch :	room lock	!Actual dimensions of parapets, sheets, window and door openings to be checked on site prior to construction!
			D14

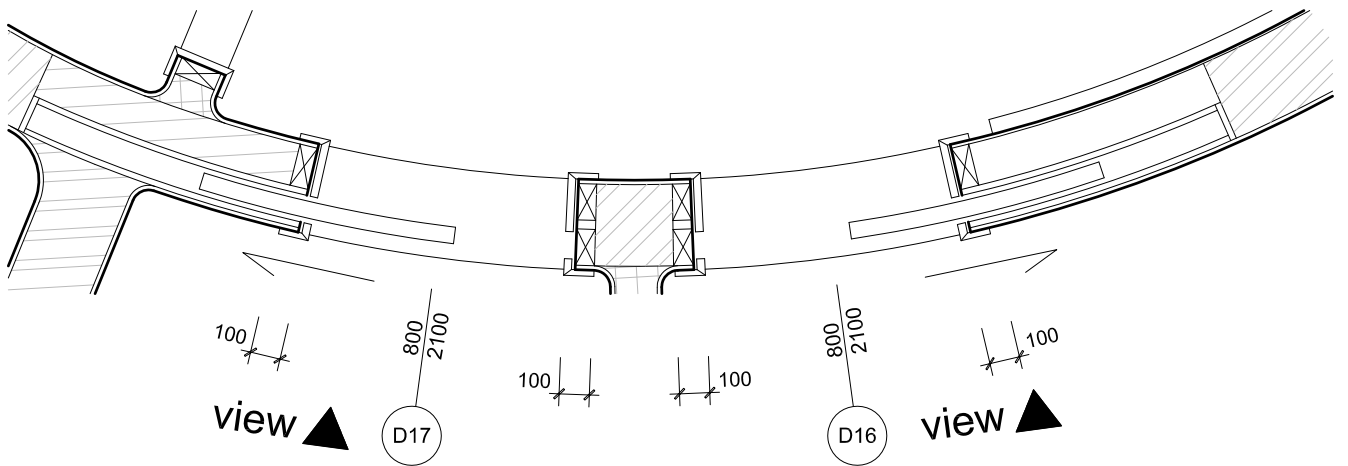
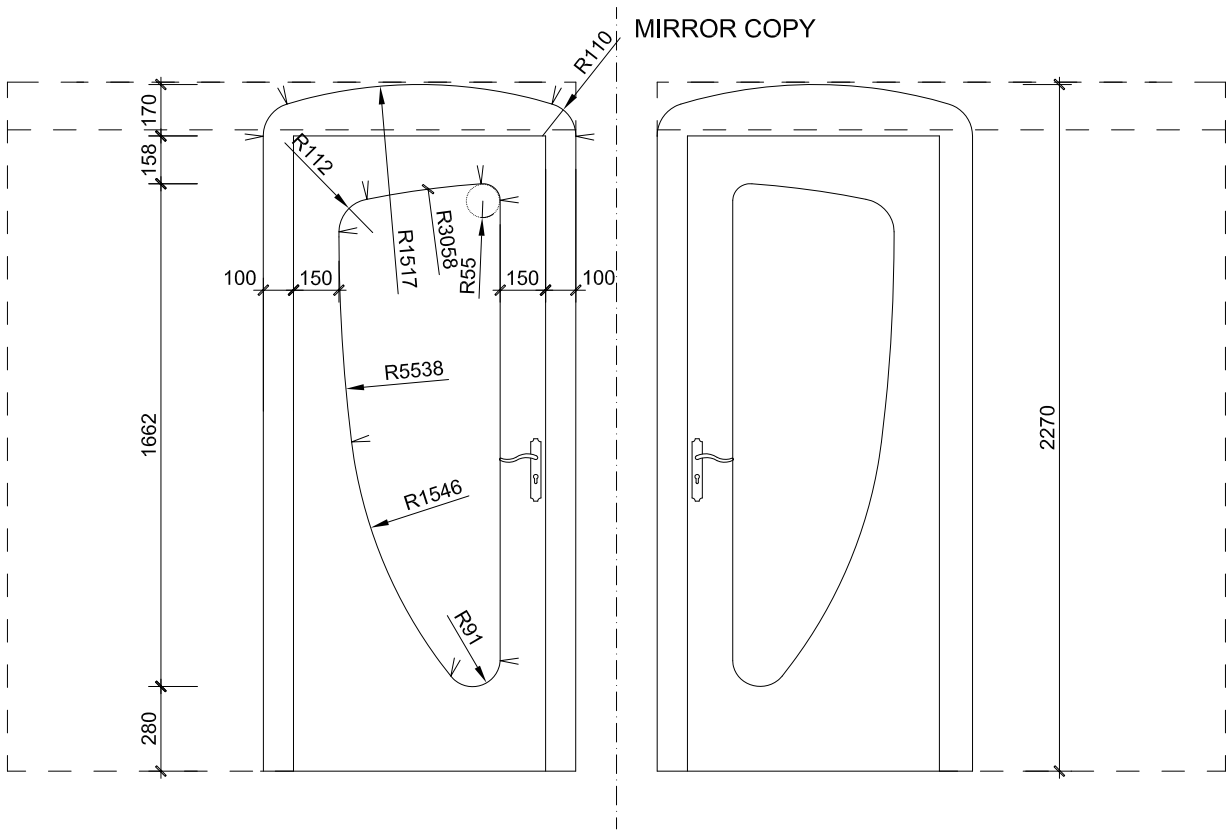


all little radius: R55



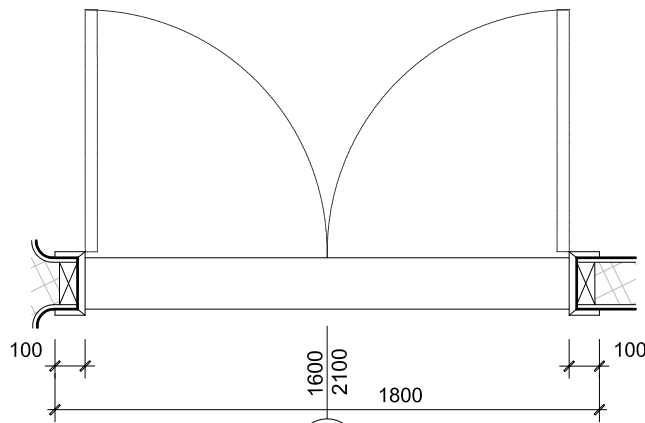
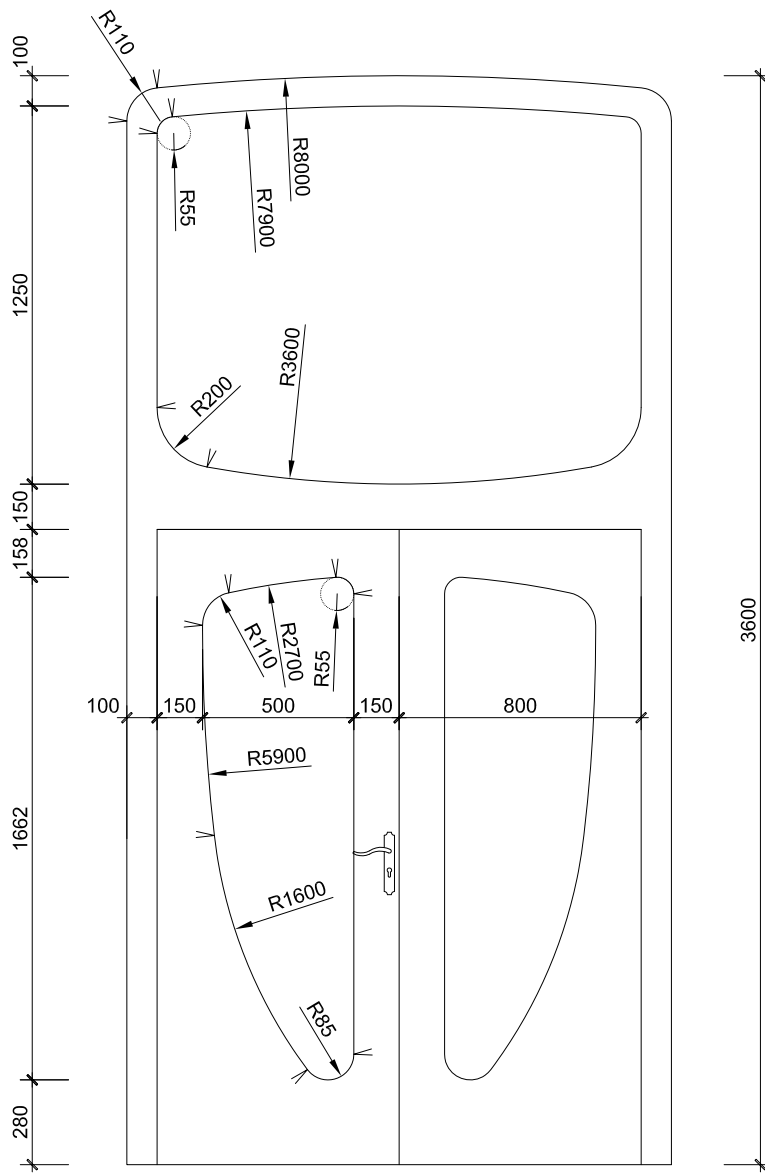
INTERIOR SLIDING DOOR		ONE WING	
specification	type of mechanism:	slide to hidden housing	material of the frame : pine wood
	size w/h :	700 / 2100	material of the wing : full board : pine wood
	door sill:	none	surface : bassic oil and 2 layers of hadr wax oil
	glass : none, wooden veneer panel
	latch :	room lock	
			!Actual dimensions of parapets, sheets, window and door openings to be checked on site prior to construction!
			D15

MIRROR COPY



INTERIOR SLIDING DOOR		mirror copy of D17	ONE WING	
specification	type of mechanism:	slide to hidden housing	material of the frame :	pine wood
	size w/h :	800 / 2100	material of the wing : full board :	pine wood
	door sill:	none	surface :	bassic oil and 2 layers of hadr wax oil
	glass :	none, wooden veneer panel
	latch :	room lock	!Actual dimensions of parapets, sheets, window and door openings to be checked on site prior to construction!	
				D16

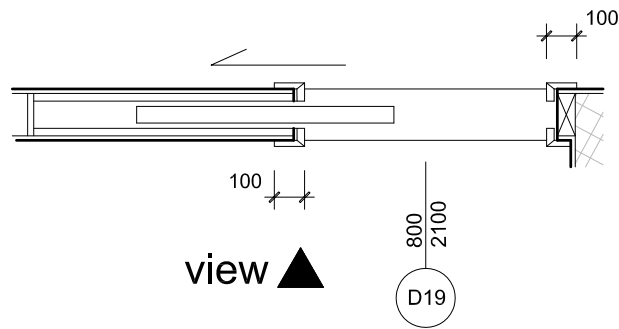
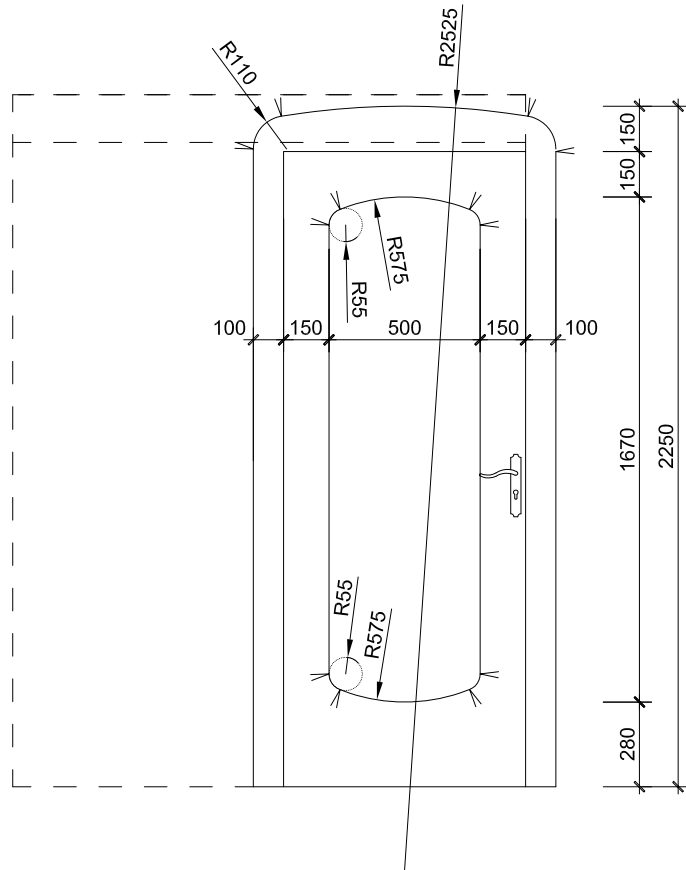
INTERIOR SLIDING DOOR		mirror copy of D16	ONE WING	
specification	type of mechanism:	slide to hidden housing	material of the frame :	pine wood
	size w/h :	800 / 2100	material of the wing : full board :	pine wood
	door sill:	none	surface :	bassic oil and 2 layers of hadr wax oil
	glass :	none, wooden veneer panel
	latch :	room lock	!Actual dimensions of parapets, sheets, window and door openings to be checked on site prior to construction!	
				D17



view ▲

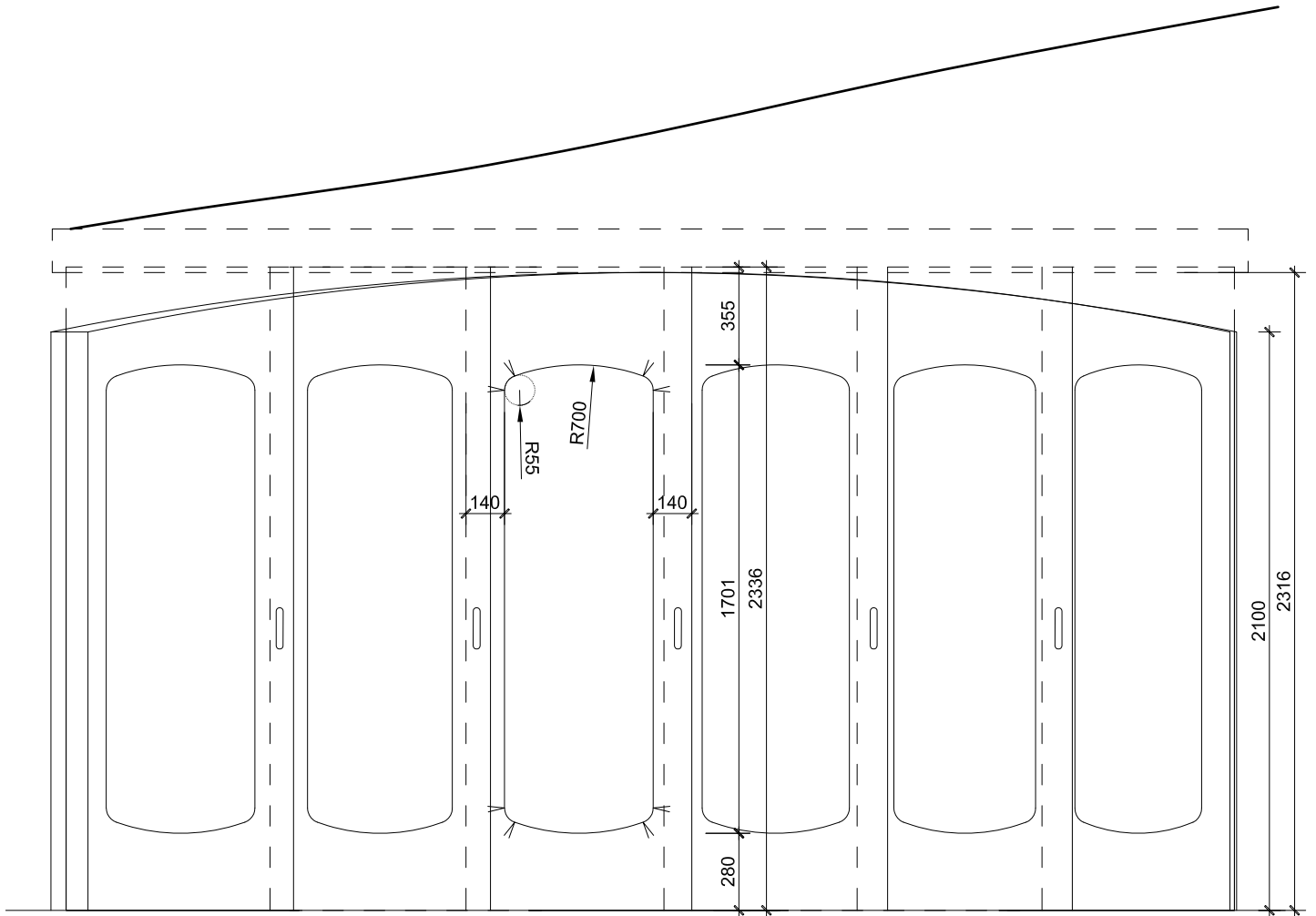
D18

INTERIOR DOOR		DOUBLE WING	RIGHT
specification	type of mechanism:	hinge, fixed window	material of the frame : pine wood
	size w/h :	1600 / 2100 (1800/3600)	material of the wing : full board : pine wood
	door sill:	none	surface : basic oil and 2 layers of hadr wax oil
	glass : sandblasted glass
	latch :	room lock	
!Actual dimensions of parapets, sheets, window and door openings to be checked on site prior to construction!			D18

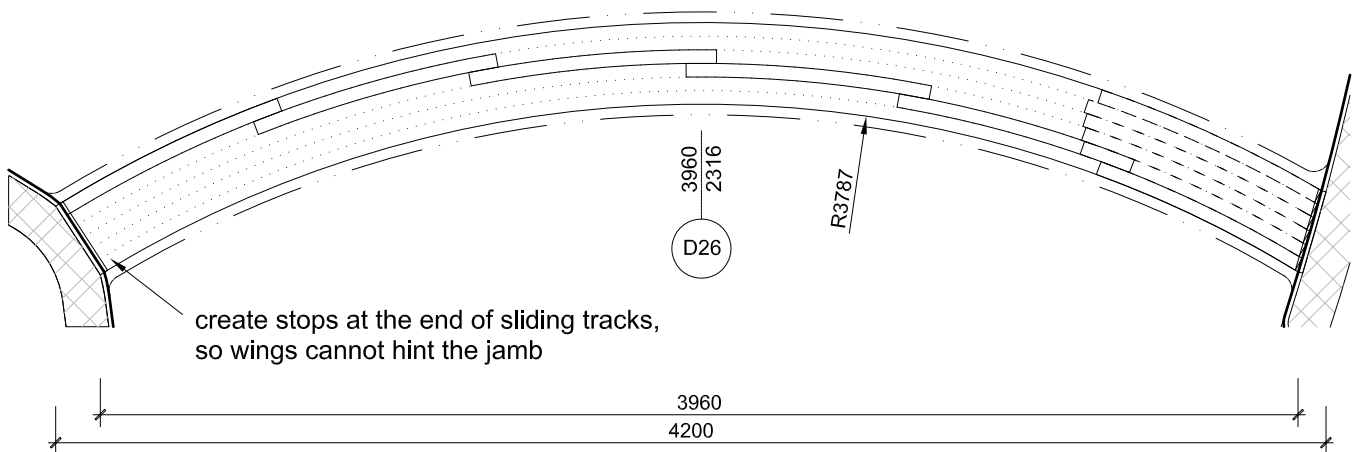


view ▲

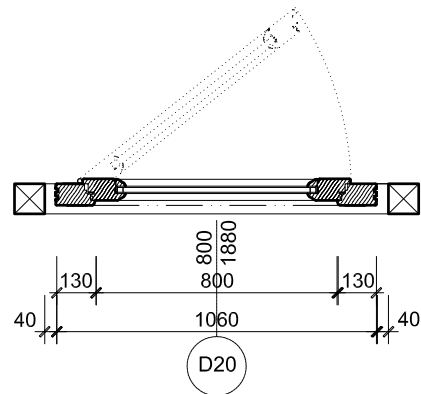
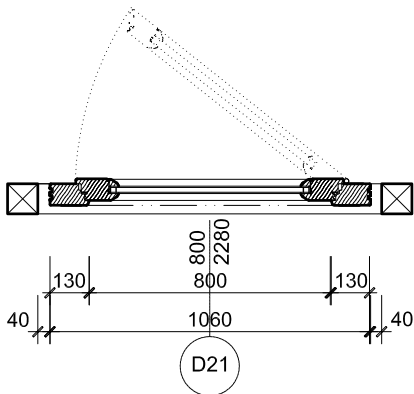
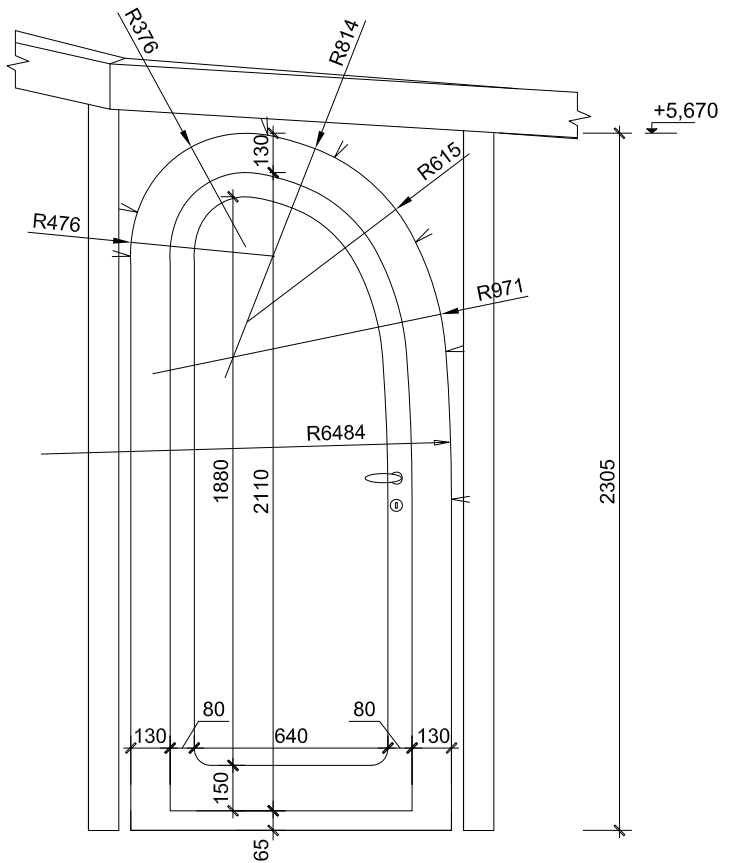
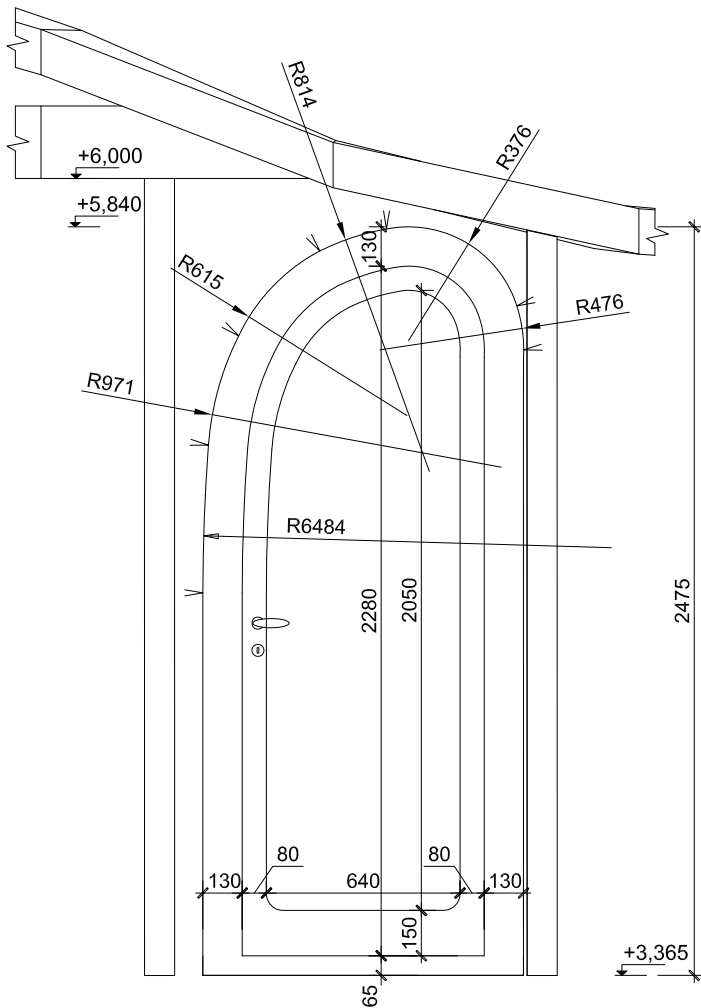
INTERIOR SLIDING DOOR		ONE WING	
specification	type of mechanism:	slide to hidden housing	material of the frame : pine wood
	size w/h :	800 / 2100	material of the wing : full board : pine wood
	door sill:	none	surface : bassic oil and 2 layers of hadr wax oil
	glass : none, wooden veneer panel
	latch :	room lock	
!Actual dimensions of parapets, sheets, window and door openings to be checked on site prior to construction!			D19



view ▼



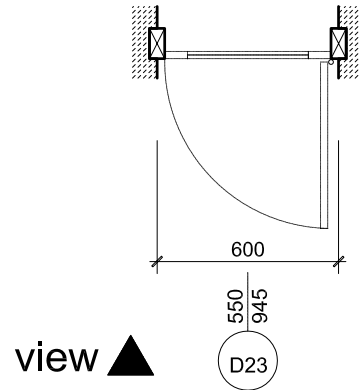
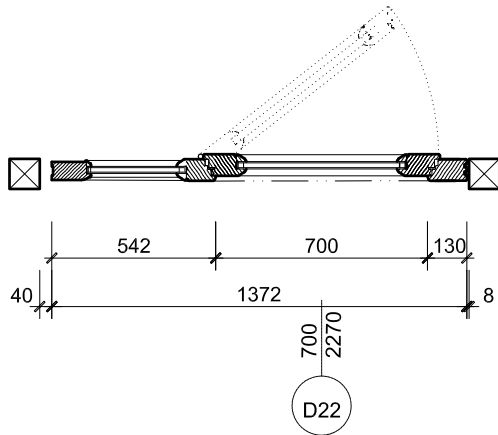
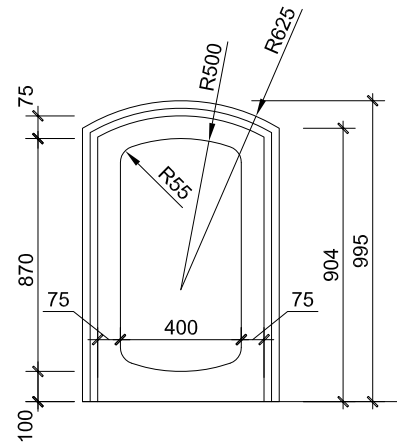
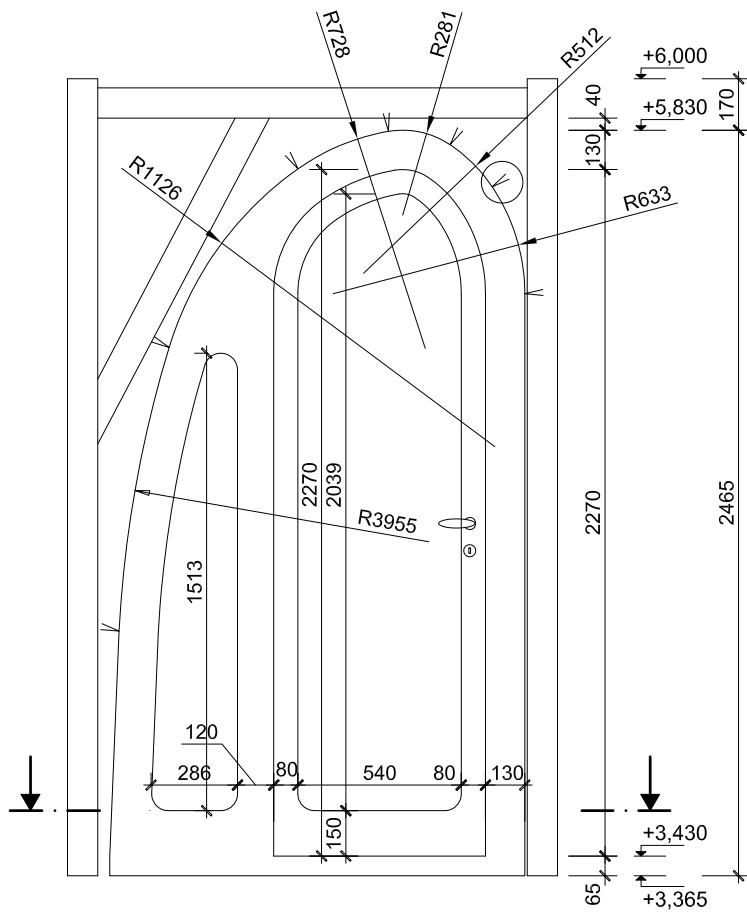
INTERIOR SLIDING WALL		SIX WINGS	
specification	type of mechanism:	slide	material of the frame : pine wood
	size w/h :	4200 / 2316	material of the wing : full board : pine wood
	door sill:	oak wood, sliding tracks	surface : basic oil and 2 layers of hadr wax oil
	door jamb:	vertical on walls, the same material as for sill	glass : none, wooden veneer panel
	latch :	none	!Actual dimensions of parapets, sheets, window and door openings to be checked on site prior to construction!
			D26



view ▲

EXTERIOR DOOR		ONE WING	LEFT
specification	type of mechanism:	hinge	material of the frame : pine wood
	size w/h :	800 / 2280 (1060/2475)	material of the wing : full board : pine wood
	door sill:		surface : basic oil and 2 layers of hadr wax oil
	latch :	cylinder security lock	glass : double clear glass
			!Actual dimensions of parapets, sheets, window and door openings to be checked on site prior to construction!
			D21

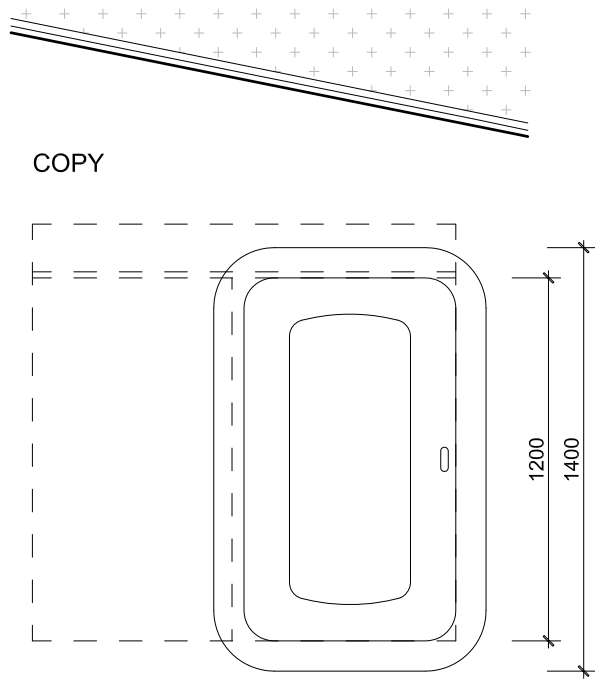
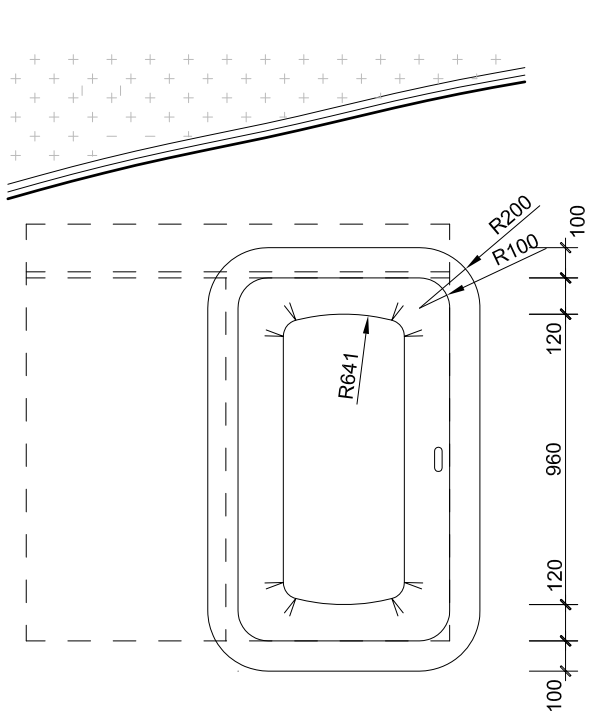
EXTERIOR DOOR		ONE WING	RIGHT
specification	type of mechanism:	hinge	material of the frame : pine wood
	size w/h :	800 / 1880 (1060/2305)	material of the wing : full board : pine wood
	door sill:		surface : basic oil and 2 layers of hadr wax oil
	latch :	cylinder security lock	glass : double clear glass
			!Actual dimensions of parapets, sheets, window and door openings to be checked on site prior to construction!
			D20

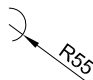


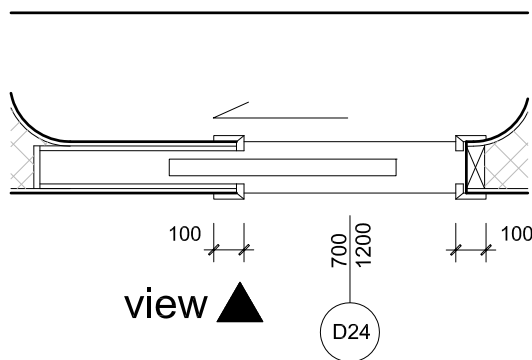
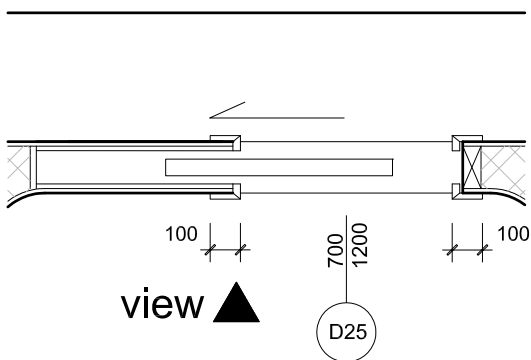
view ▲

EXTERIOR DOOR		ONE WING	RIGHT
specification	type of mechanism:	hinge, fixed window	
	size w/h :	700 / 2270 (1372/2465)	
	door sill:	40	
	latch :	cylinder security lock	
		!Actual dimensions of parapets, sheets, window and door openings to be checked on site prior to construction!	
		D22	

EXTERIOR DOOR		ONE WING	RIGHT
specification	type of mechanism:	hinge	
	size w/h :	550 / 945 (600/995)	
	door sill:	40	
	latch :	standard ensuring	
		!Actual dimensions of parapets, sheets, window and door openings to be checked on site prior to construction!	
		D23	



all little radius:  R55



INTERIOR SLIDING DOOR		mirror copy of D25		ONE WING	
specification	type of mechanism:	slide to hidden housing	material of the frame :	pine wood	
	size w/h :	700 / 1200	material of the wing : full board :	pine wood	
	door sill:	none	surface :	bassic oil and 2 layers of hadr wax oil	
	latch :	room lock	glass :	none, wooden veneer panel	
				!Actual dimensions of parapets, sheets, window and door openings to be checked on site prior to construction!	D24

INTERIOR SLIDING DOOR		mirror copy of D24		ONE WING	
specification	type of mechanism:	slide to hidden housing	material of the frame :	pine wood	
	size w/h :	700 / 1200	material of the wing : full board :	pine wood	
	door sill:	none	surface :	bassic oil and 2 layers of hadr wax oil	
	latch :	room lock	glass :	none, wooden veneer panel	
				!Actual dimensions of parapets, sheets, window and door openings to be checked on site prior to construction!	D25