


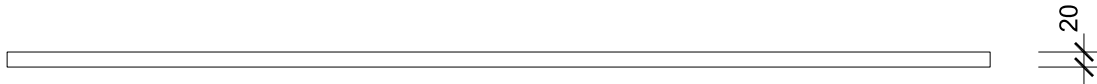


| | | | |
|---|--|---|--------------------------------|
| Project: the private house in El Palol property: Mas Palol (Can Fages), municipal area: Torroella de Fluvià, county: l'Alt Empordà, Spain | |  ak. arch. Oldřich Hozman Na Zájezdu 16, 101 00 Praha 10 Czech Republic Czech Chamber of Architects Reg. no.: 01284 tel + 420 235 31 16 22 fax + 420 235 31 16 22 www.arc.cz arc@arc.cz | |
| Investor: Zain Maitreya, s.l., Margenat 23, 08017 Barcelona, Spain | | | |
| Architect: ak. arch. Oldřich Hozman | Drawn by: Ing. arch. Jan Soukup Ing. Tomas Stopka | Profession: CONSTRUCTION | Format: A4 |
| Structural engineer: Joan Carles Capilla Ten and Maria Pia Monaco Baques, arquitectes | | Checked by: arch. Arturo de la Maza | |
| Drawing: IRONMONGERY ELEMENTS SCHEDULE | | Project stage: EXECUTIVE PROJECT | Drawing number: SCH5 |
| | | Scale: 1 : 5, 1:10 | |
| | | Date: 07 / 2011 | |

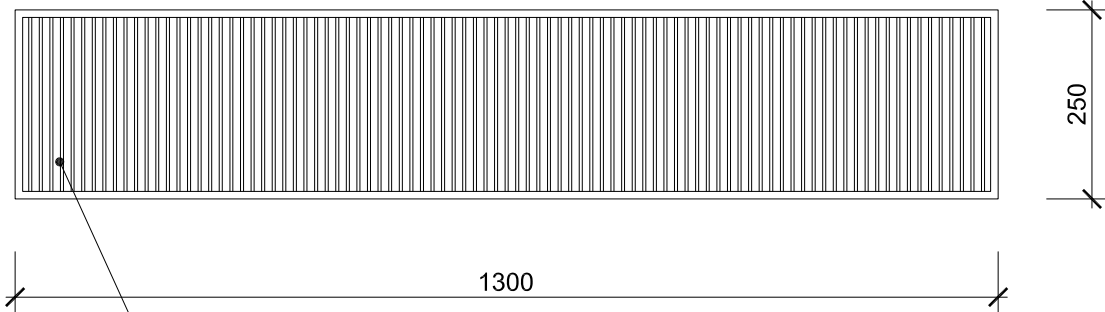
grid for kerbstone of ventilation channel

Note: dimensions serve only for cost-evaluation purposes. Exact measurements to be taken on site prior to construction.

SIDE VIEW



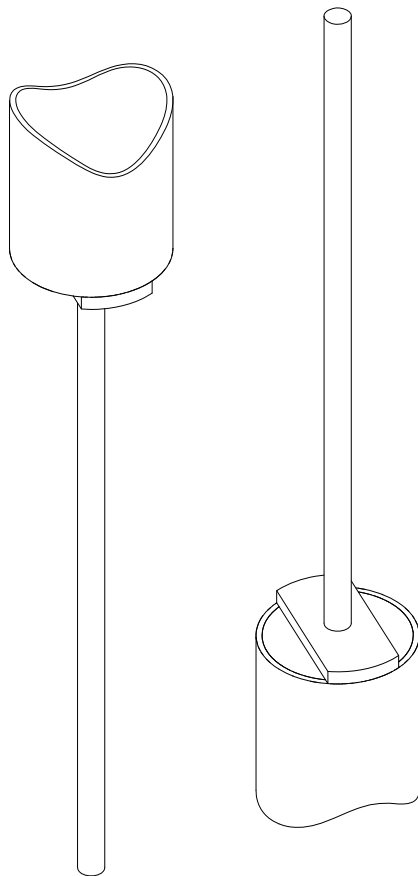
PLAN VIEW



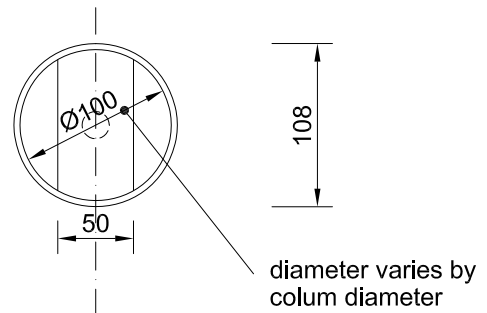
METAL GRID WITH COPPER METALLIZING

Note: dimensions serve only for cost-evaluation purposes. Exact measurements to be taken on site prior to construction.

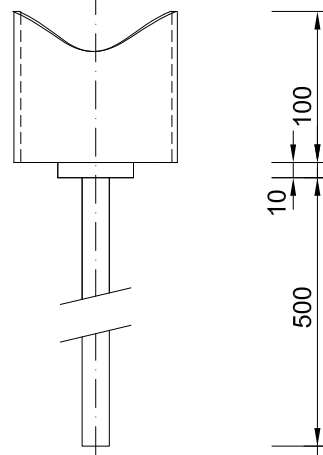
AXONOMETRY



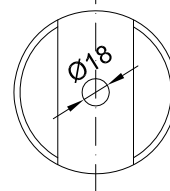
PLAN



ELEVATION



BOTTOM



Note:

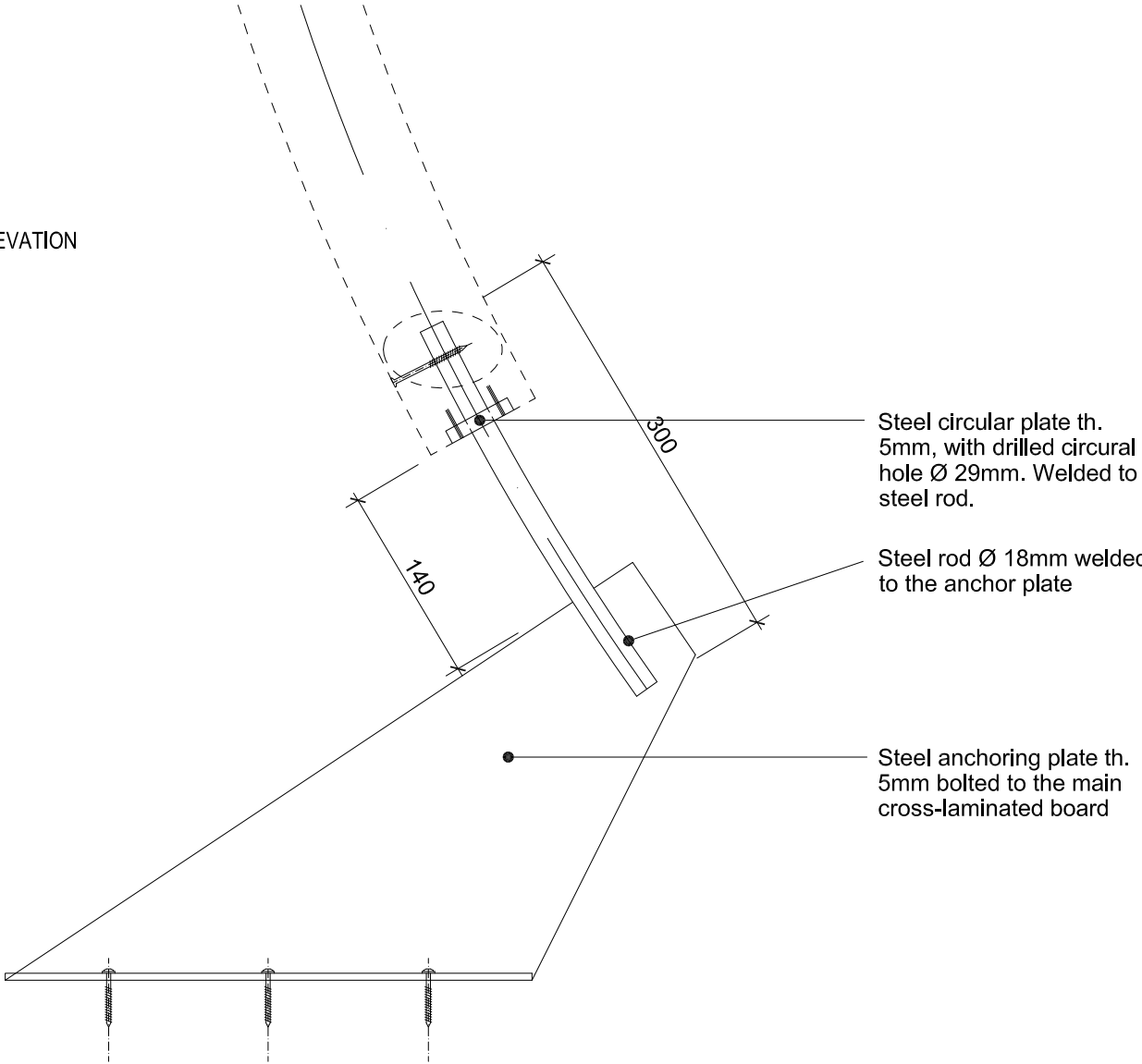
This foot will be used for all exterior columns. Diameter changes by column width.

number of foots with inner diameter:

- 12 x Ø 100 mm
- 6 x Ø 130 mm
- 2 x Ø 200 mm

Note: dimensions serve only for cost-evaluation purposes. Exact measurements to be taken on site prior to construction.

ELEVATION

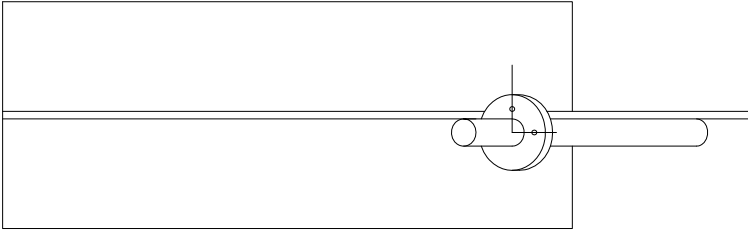


Steel circular plate th. 5mm, with drilled circular hole \varnothing 29mm. Welded to steel rod.

Steel rod \varnothing 18mm welded to the anchor plate

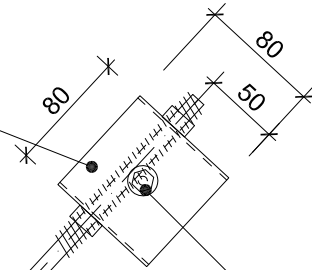
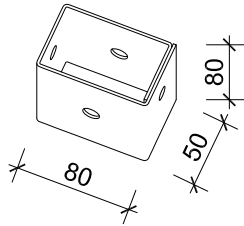
Steel anchoring plate th. 5mm bolted to the main cross-laminated board

PLAN



Note: dimensions serve only for cost-evaluation purposes. Exact measurements to be taken on site prior to construction.

square hollow section 80/80/2mm
with two drilled holes \varnothing 10mm for
steel bar and two holes in cross
direction for steel tie bolt



steel tie bolt
(to tie together two wooden
terrace beams with inserted
square hollow section)

steel reinforcement bar \varnothing 10mm
with screw thread end
(shape and length varies, built-in
foundations)

